

PS-LX700P

SERVICE MANUAL

*US Model
AEP Model
UK Model
E Model*



This set is the turntable system section in XO-700 or XO-700W.

SPECIFICATIONS

Turntable

Platter	30 cm (12 in), aluminum-alloy diecast
Motor	DC servo motor
Drive system	Belt drive
Speed	33 $\frac{1}{3}$ rpm, 45 rpm
Wow and flutter	0.045% (WRMS), $\pm 0.06\%$ (DIN)
Signal-to-noise ratio	70 dB (DIN-B)
Automatic system	Return, reject, lead in, repeat, record-size select

Tonearm

Type	Dynamically balanced
Pivot-to-stylus length	200 mm (7 $\frac{7}{8}$ in.)
Overall arm length	235 mm (9 $\frac{3}{8}$ in.)
Overhang	18 mm ($\frac{23}{32}$ in.)
Tracking error	+3°30', -1°

Cartridge

Type	Moving magnet type
Frequency response	20 Hz to 20 kHz
Stylus	Sony ND-142G (0.6 mil diamond)

General

Dimensions	Approx. 355 × 90 × 330 mm (w/h/d) (14 × 3 $\frac{1}{2}$ × 13 inches)
Weight	Incl. projecting parts and controls Approx. 2.4 kg (5 lb 5 oz) net

FEATURES

- Fully automatic system.
- Auto-record-size selection system which selects the record size automatically using a photo sensor.
- The low-mass tonearm and cartridge allow the stylus to track with greater accuracy.
- The turntable has resilient feet that isolate the mechanism from external shock and vibration.

STEREO TURNTABLE SYSTEM
SONY®

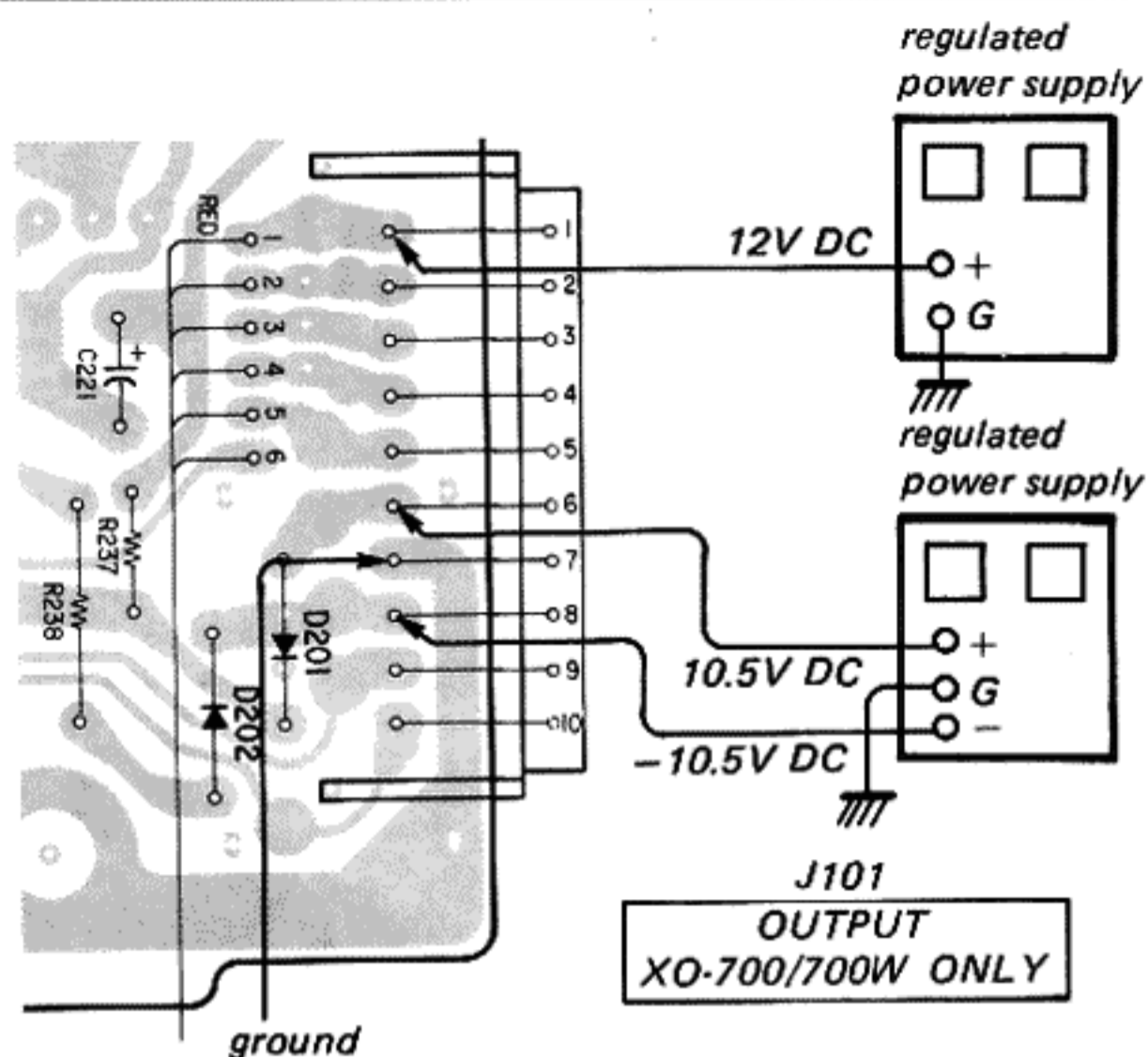


REPAIRING PRECAUTION

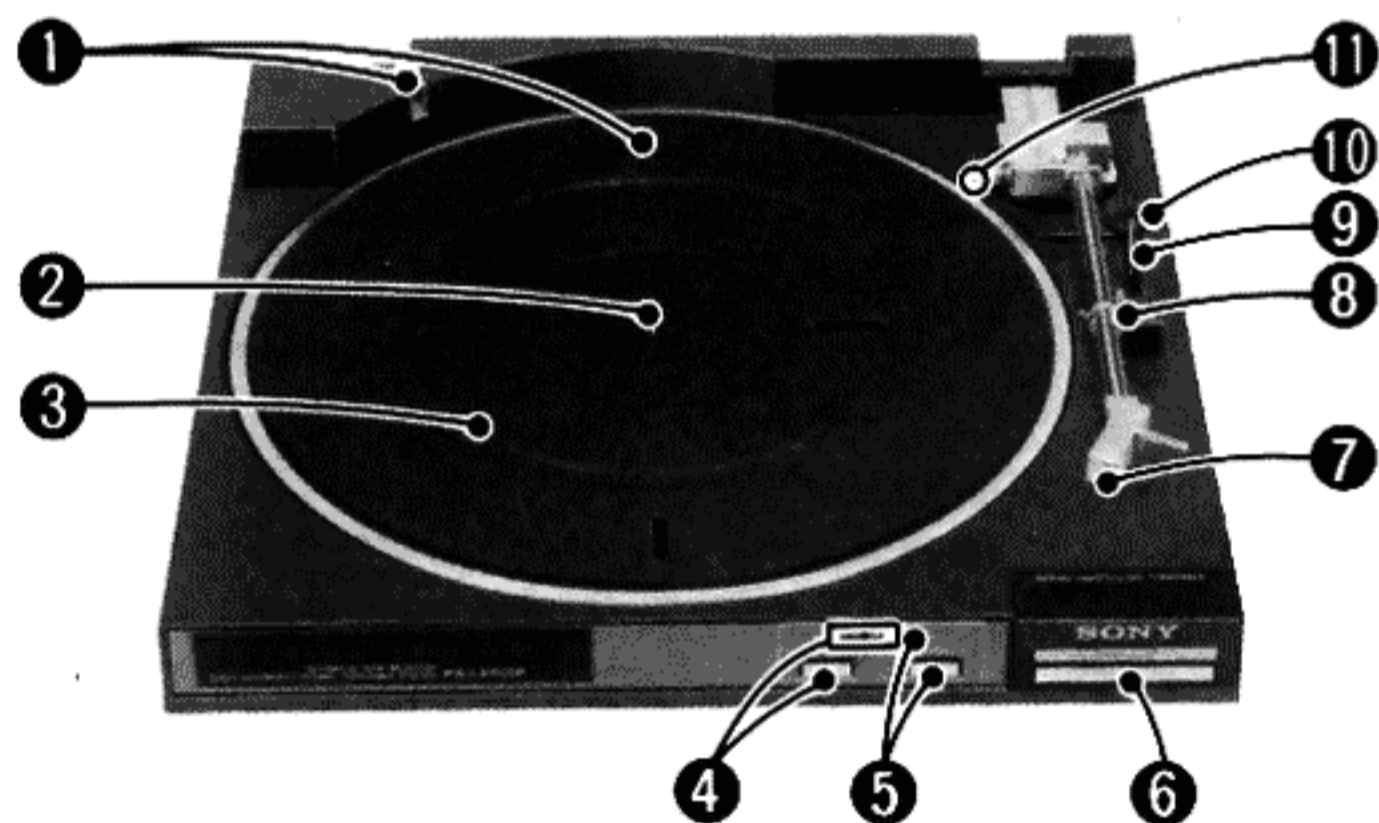
[To apply B+ voltage]

The power of this unit is fed from HST-700W.
Because of this, connect the regulated power supply as illustrated right when this unit alone operates.

[EQ AMP BOARD]
(CONDUCTOR SIDE)

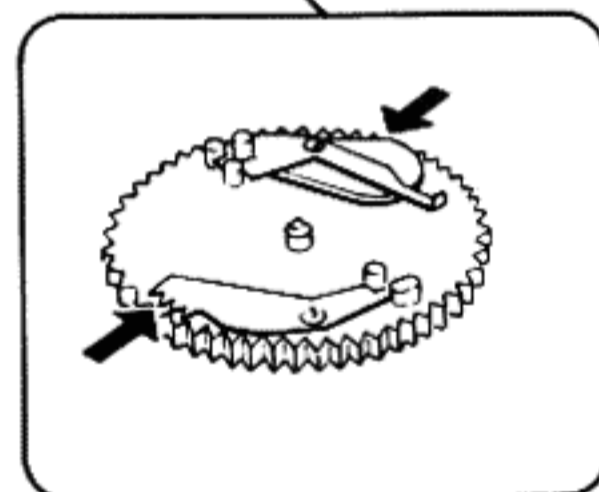
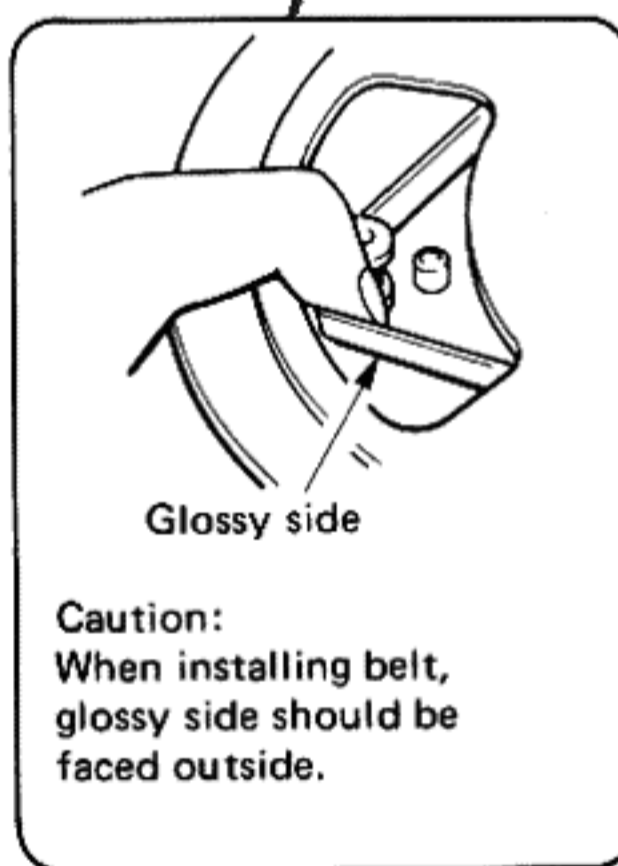
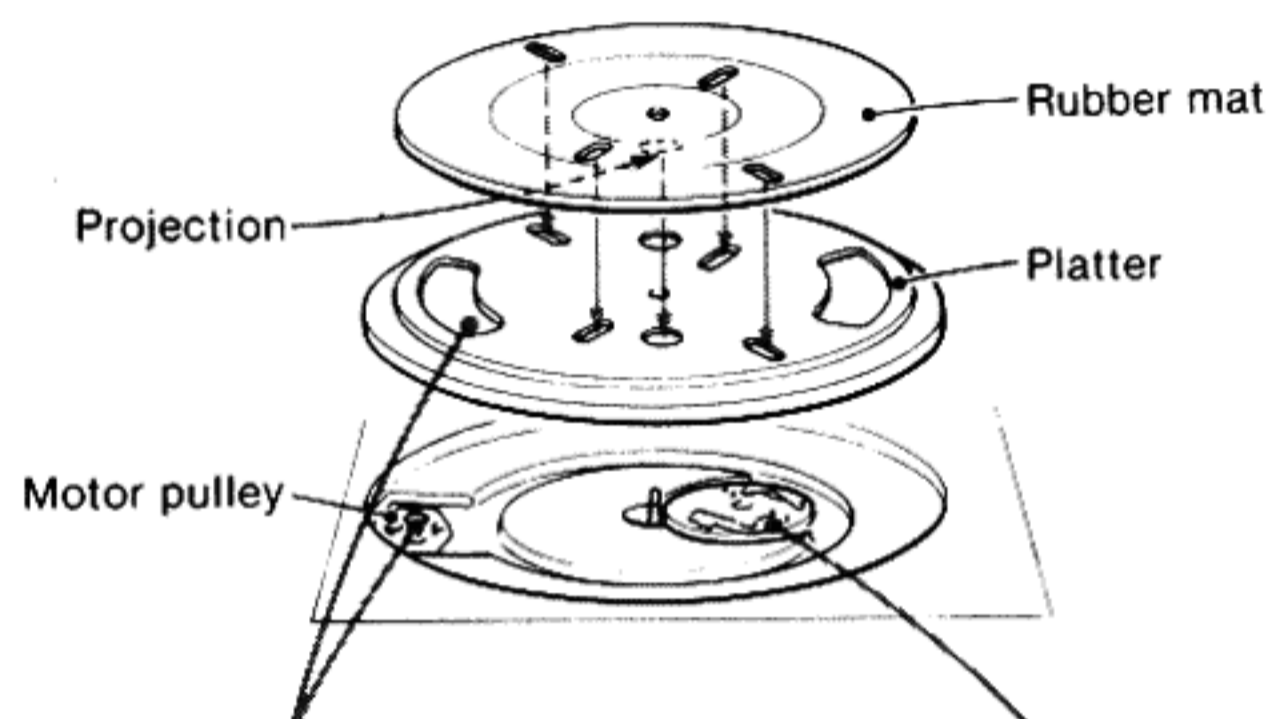


PARTS IDENTIFICATION



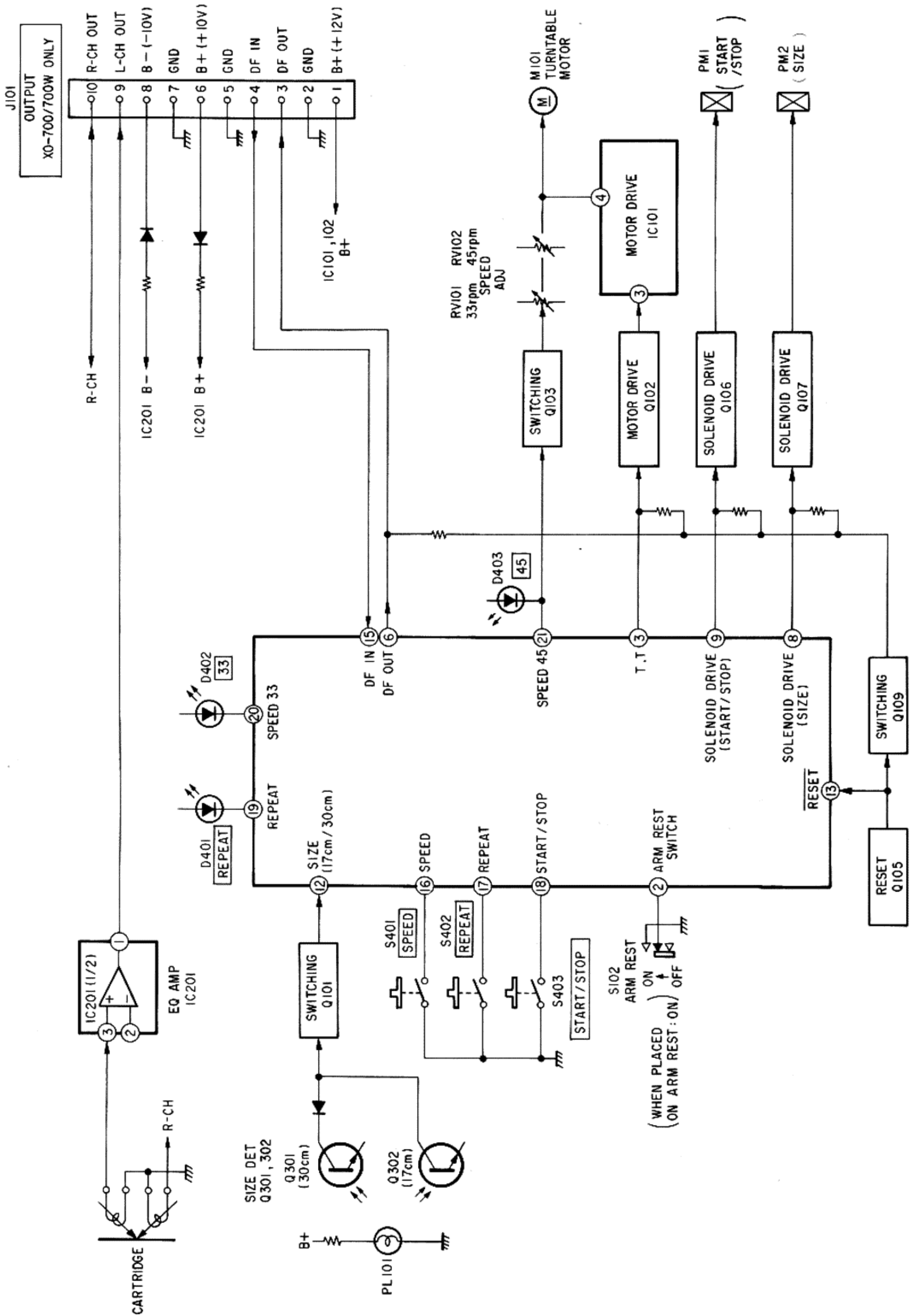
- ① Auto-record-size selection holes and lamp
- ② Center spindle
- ③ Rubber mat
- ④ SPEED button and indicator
- ⑤ REPEAT button and indicator
- ⑥ START/STOP button
- ⑦ Cartridge
- ⑧ Arm rest
- ⑨ Cueing lever (▼ ▼)
- ⑩ ANTI-SKATING compensator
Normally, set it at the center position. If the stylus is driven inward when the tone arm is lowered to the lead-in groove, turn the ANTI-SKATING compensator to ⊕. If the stylus is driven outward, turn the ANTI-SKATING compensator to ⊖.
- ⑪ Tonearm drop-point adjustment hole

TURNTABLE ASSEMBLY



- 1 Keep the metallic parts indicated by the arrows in the illustration inside the large white gear.
- 2 Set the platter on the motor board while holding the belt as shown in the illustration and hook the belt on the motor pulley.
- 3 Place the rubber mat on the platter so that the holes for auto-record-size selection on the rubber mat and on the platter are matched correctly.

SECTION 1 BLOCK DIAGRAM



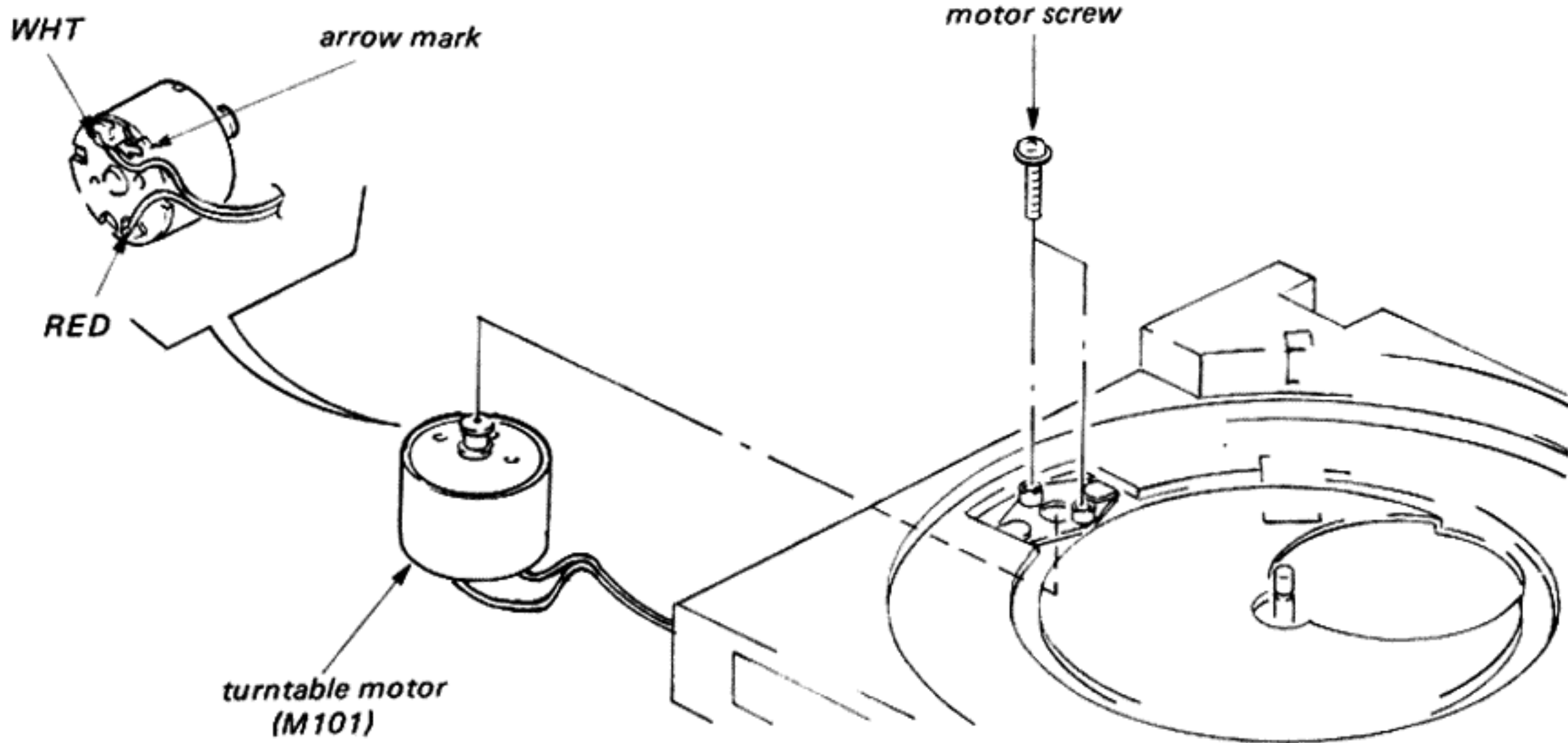
SECTION 2 DISASSEMBLY

Remove dust cover and turntable.

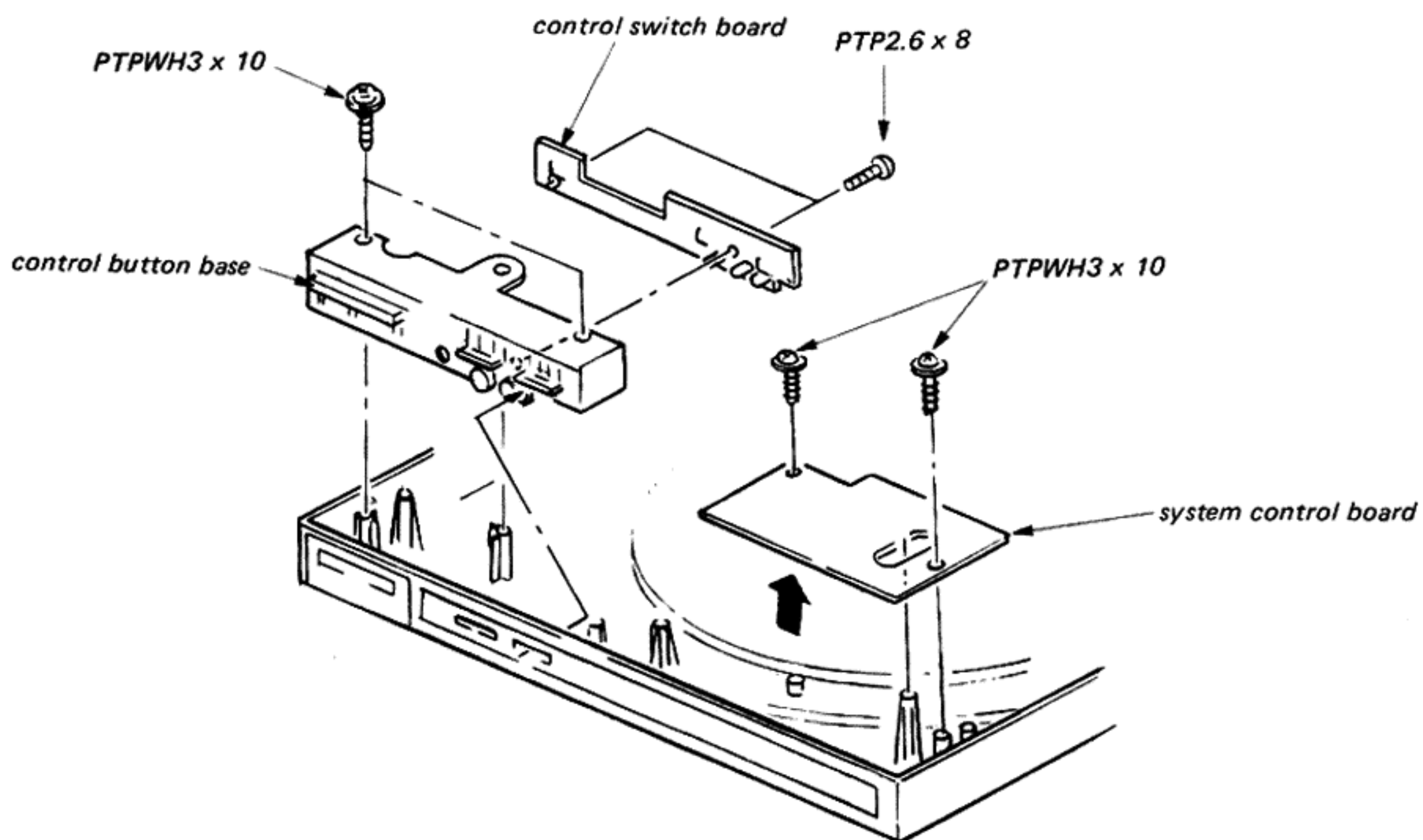
BOTTOM PLATE

Remove 5 screws (BVTP3 x 12) of bottom plate and 4 screws (BTP3 x 16) of insulator.

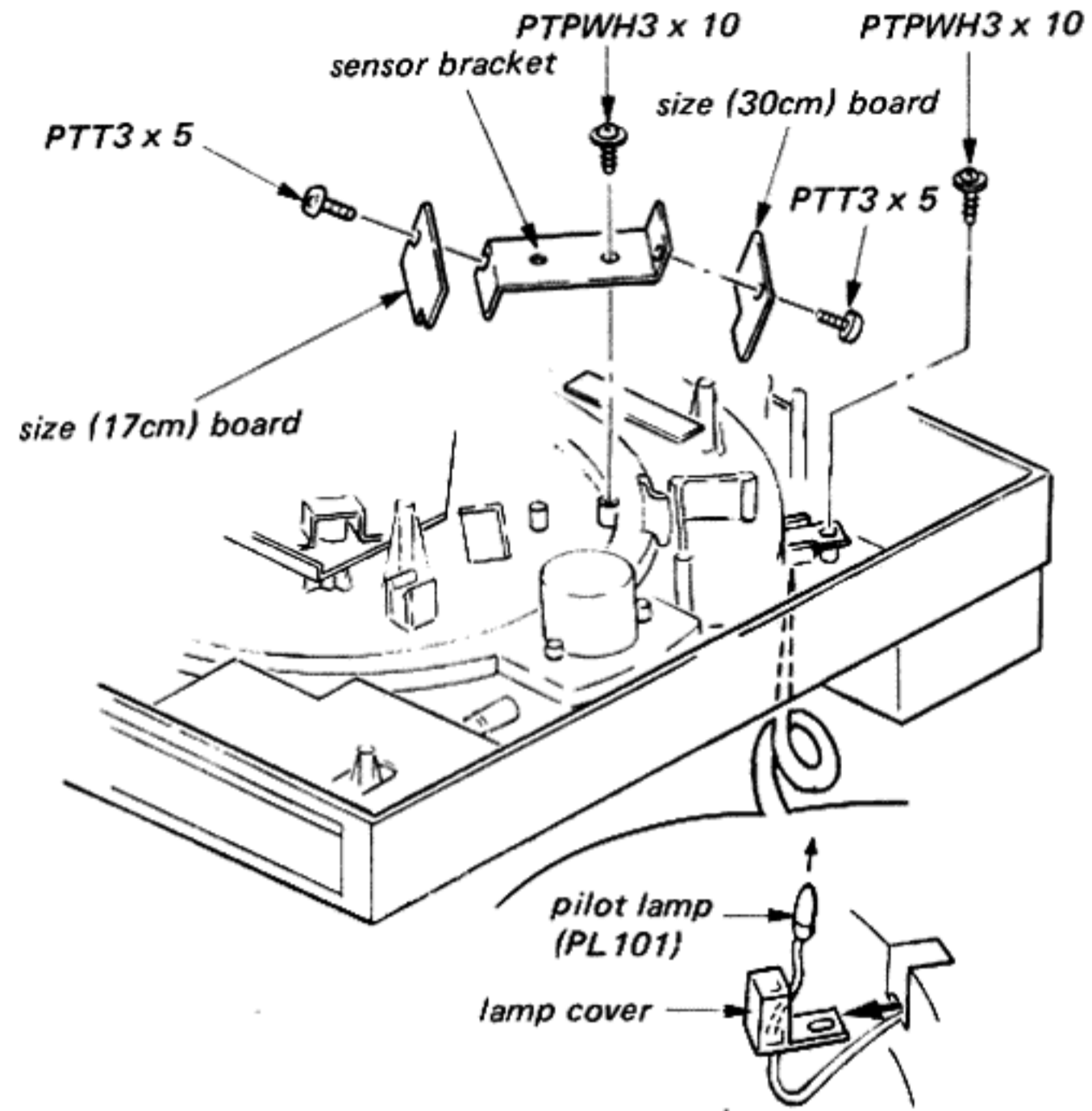
TURNTABLE MOTOR (M101)



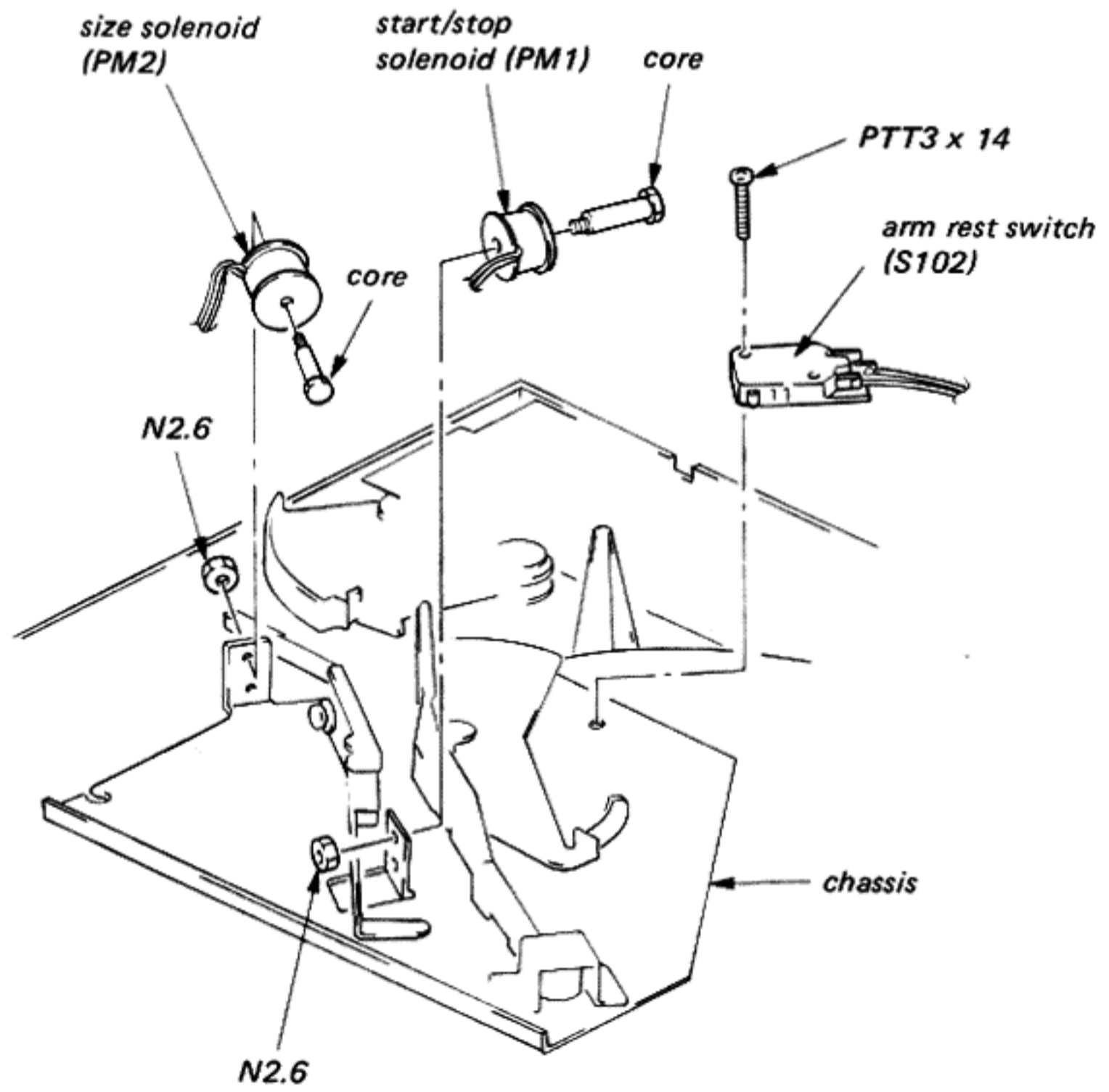
SYSTEM CONTROL BOARD AND CONTROL SWITCH BOARD



SIZE (30cm) BOARD, SIZE (17cm) BOARD AND PILOT LAMP (PL101)



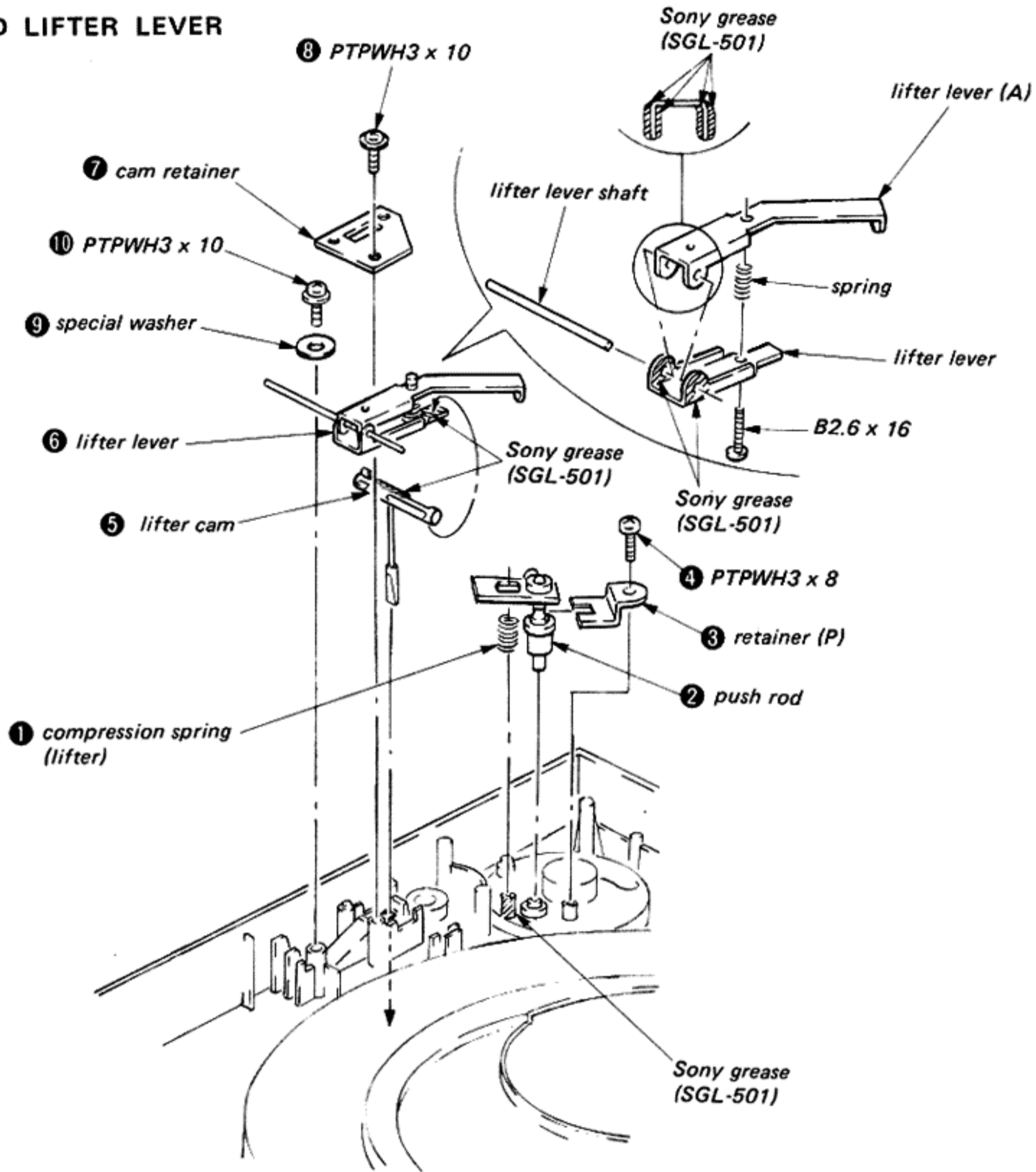
START/STOP, SIZE SOLENOID (PM1, 2) AND ARM REST SWITCH (S102)



SECTION 3 ASSEMBLY

Note: Follow the assembly procedure in the numerical order given.

PUSH ROD AND LIFTER LEVER

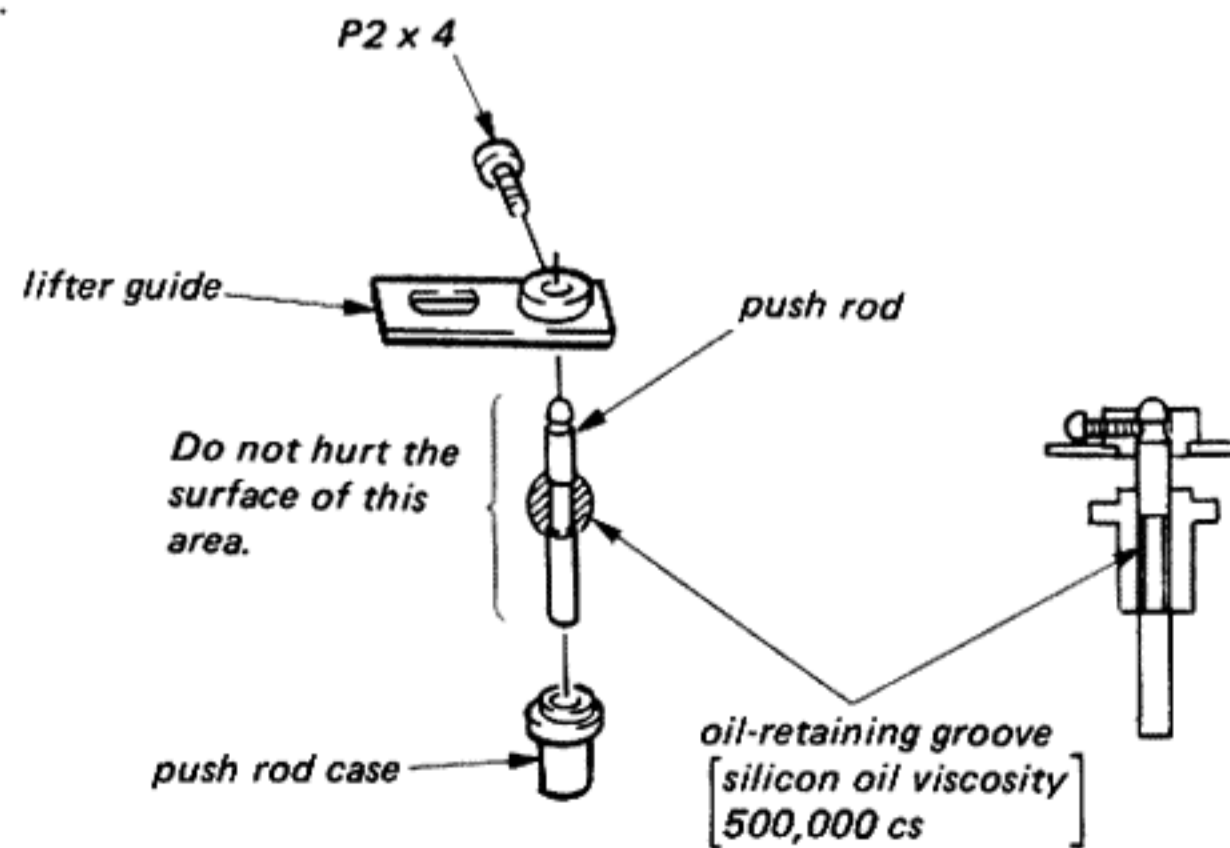


Caution for installation:

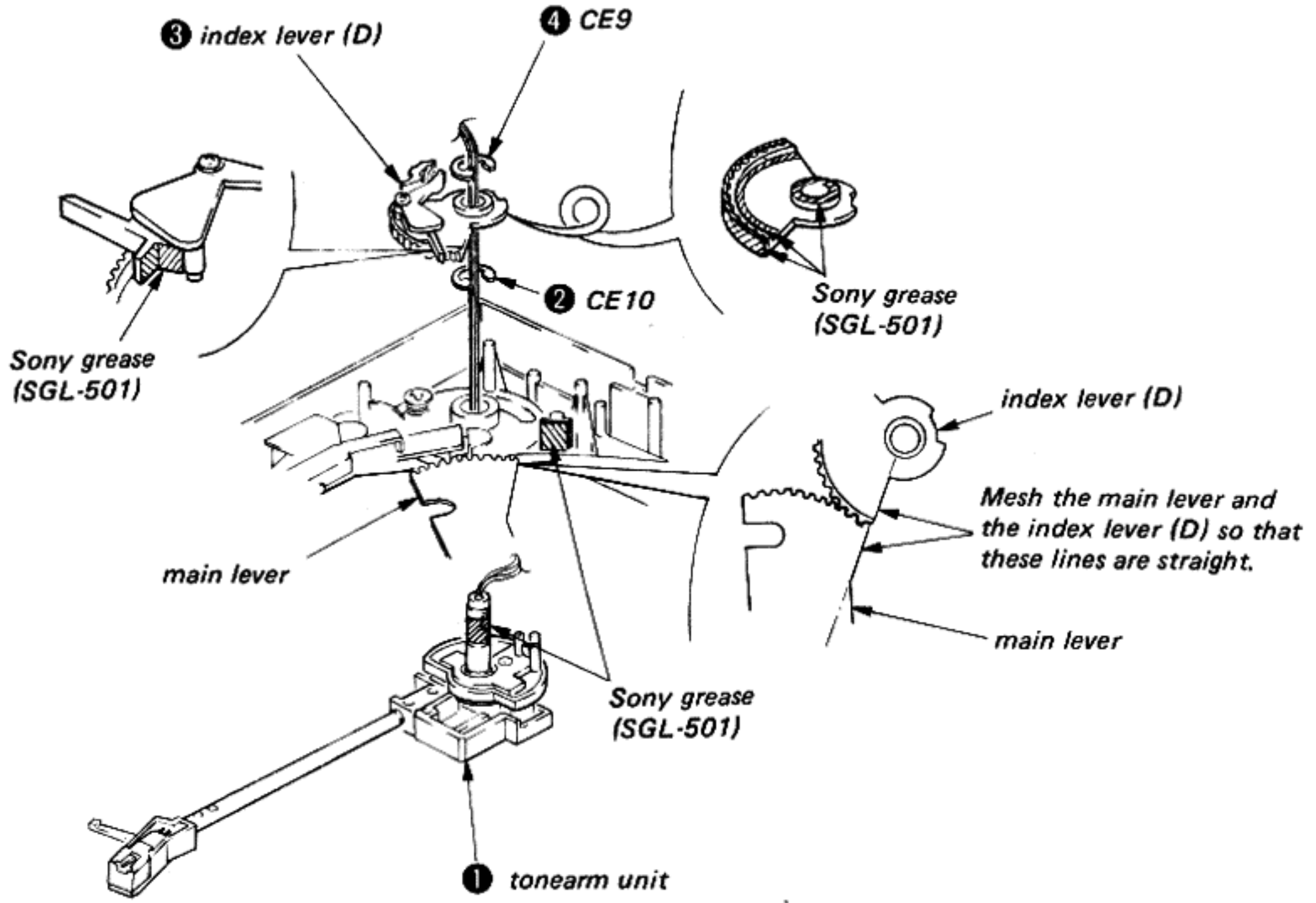
When the push rod is replaced, apply silicon oil (viscosity: 500,000 cs) to the push rod as illustrated below.

Caution:

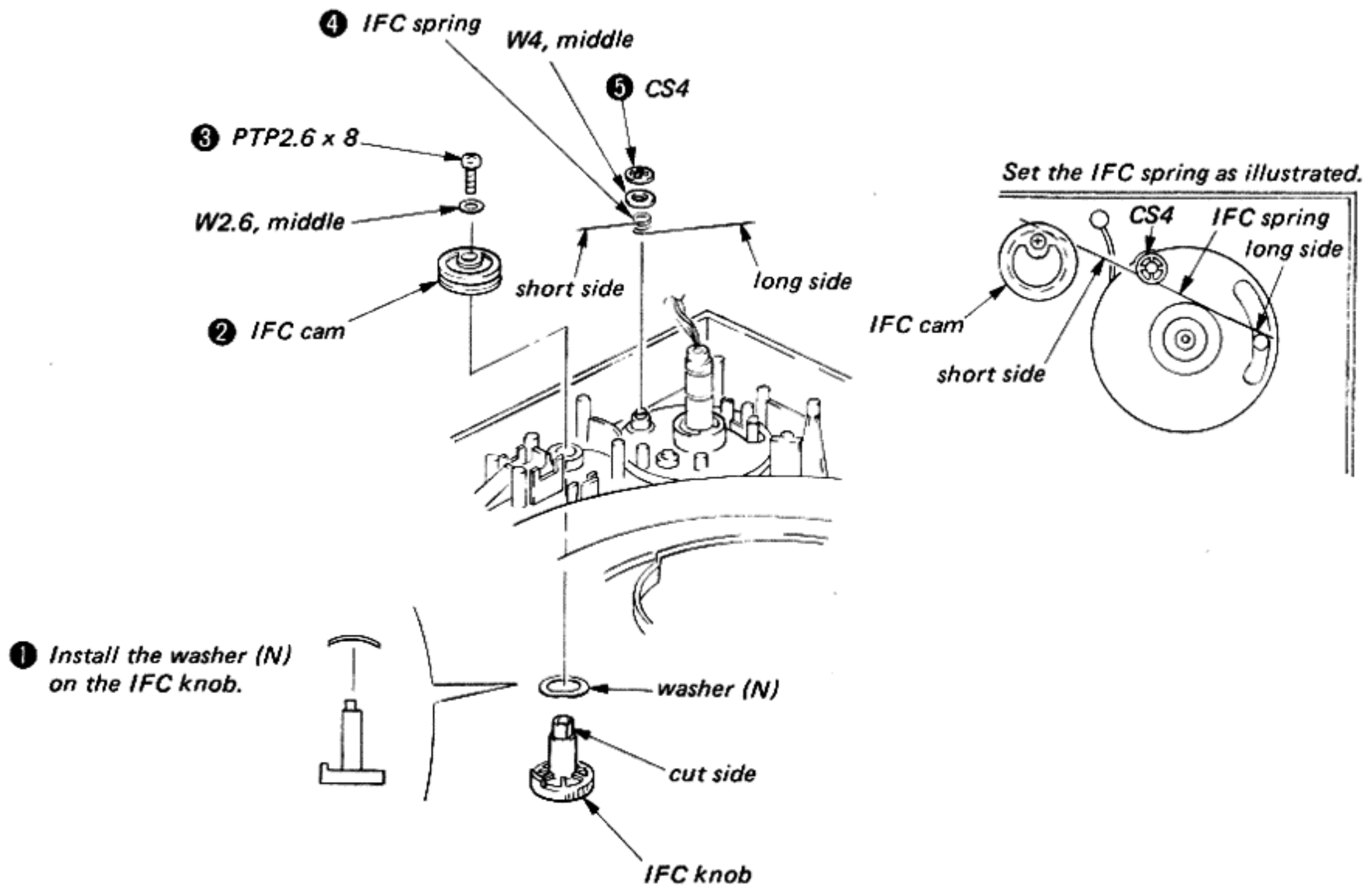
When lubricating, rotate and move the push rod up and down a few times.



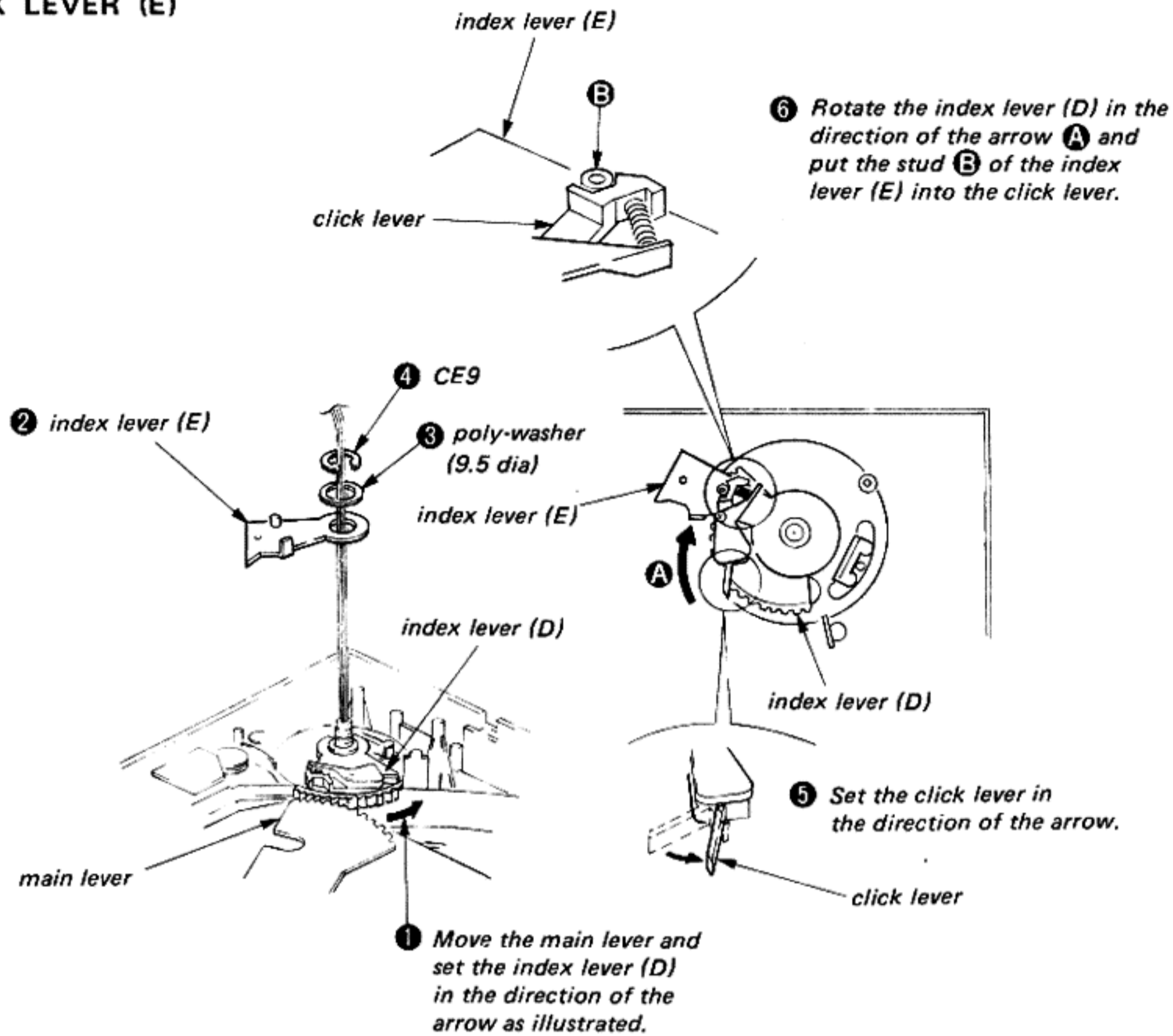
TONEARM UNIT AND INDEX LEVER (D)



IFC KNOB

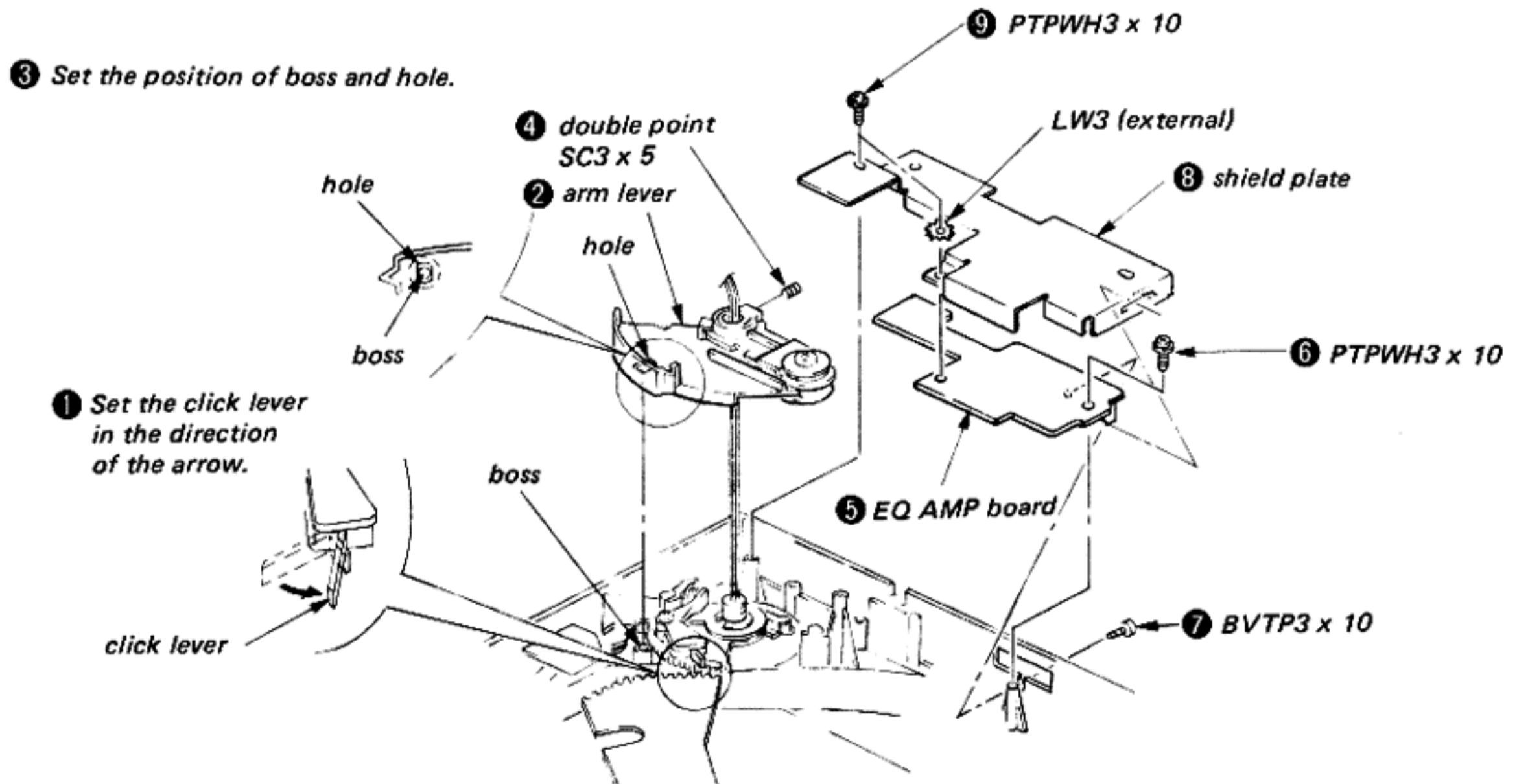


INDEX LEVER (E)

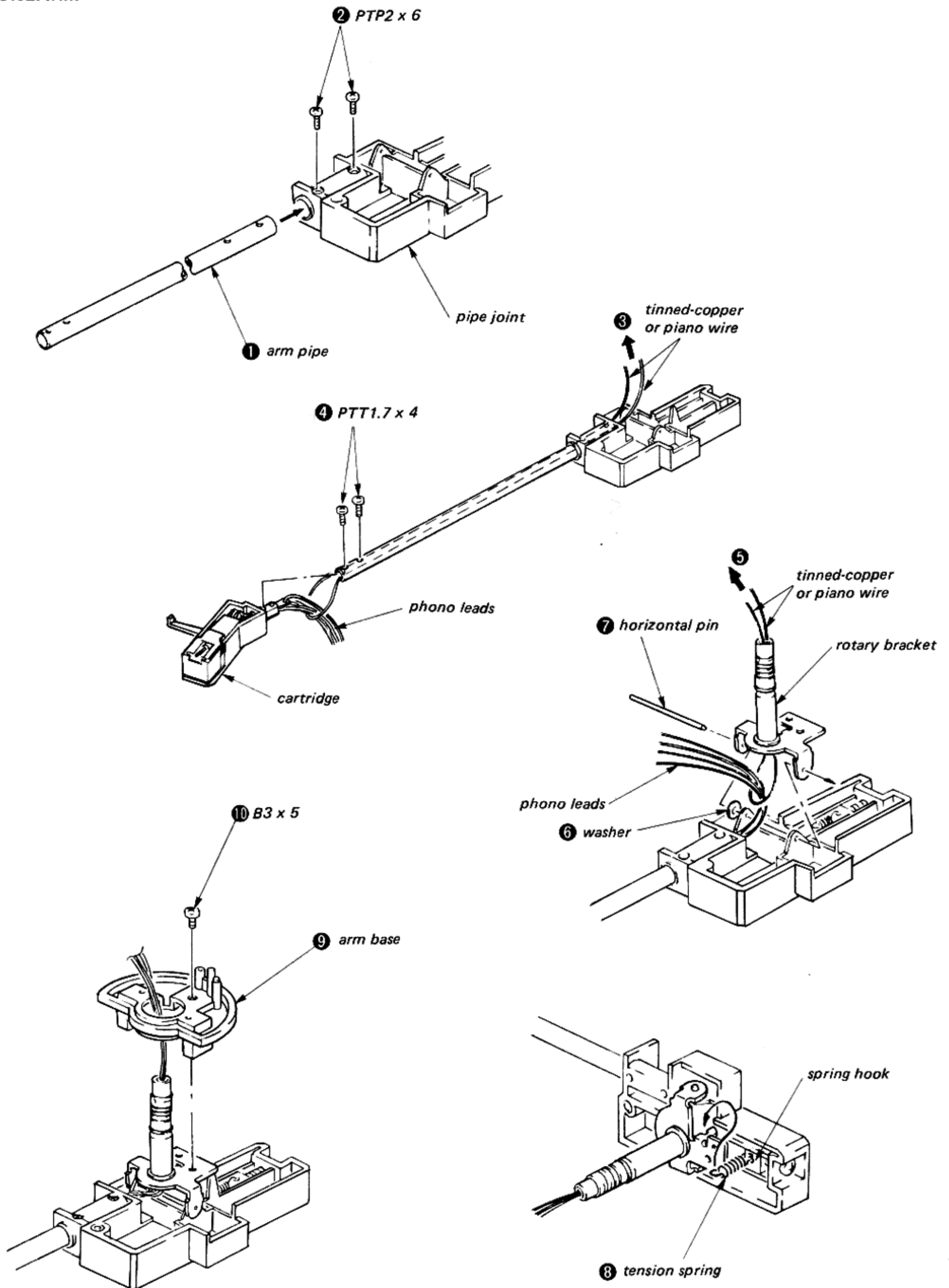


ARM LEVER AND EQ AMP BOARD

Note: The tonearm should be secured to the arm rest.



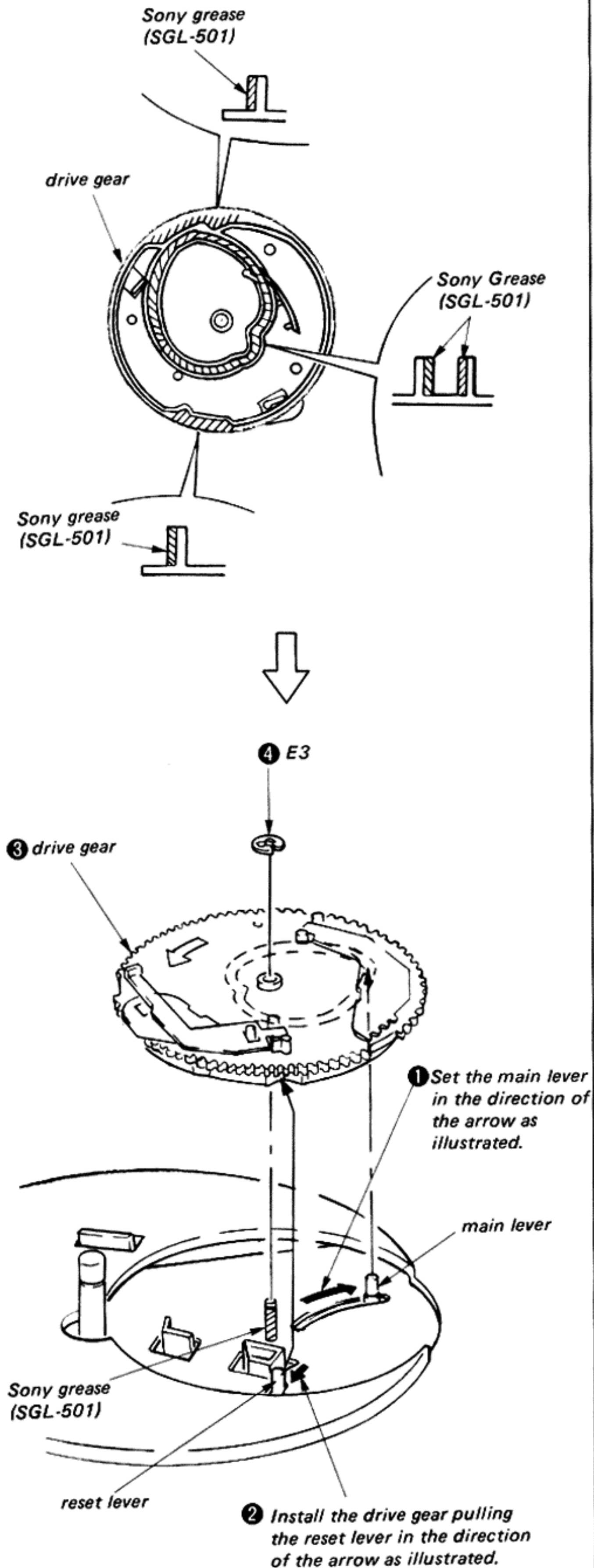
ONEARM



SECTION 4 ADJUSTMENTS

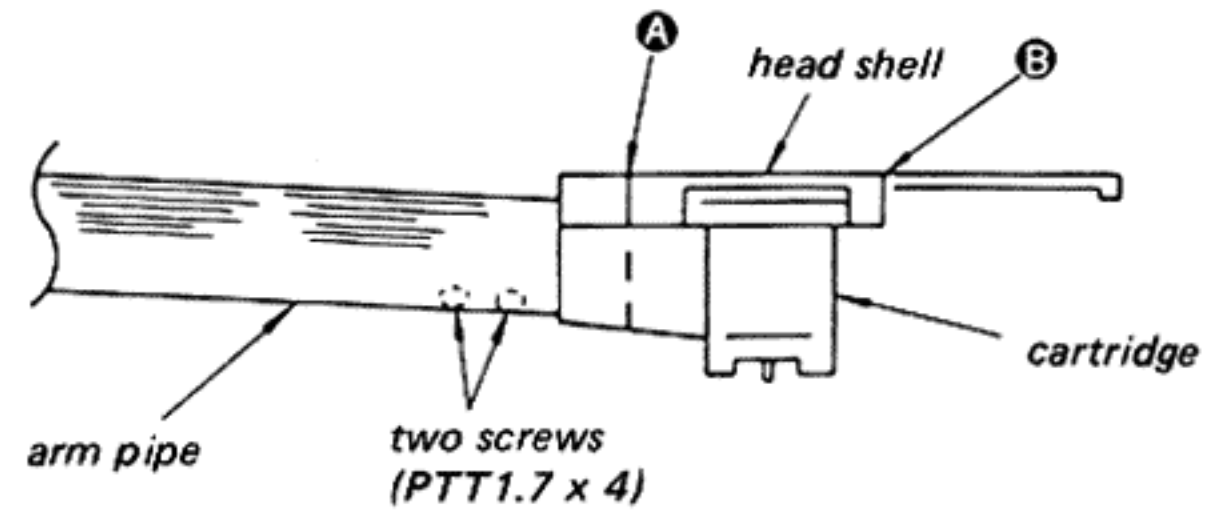
4-1. MECHANICAL ADJUSTMENTS

DRIVE GEAR



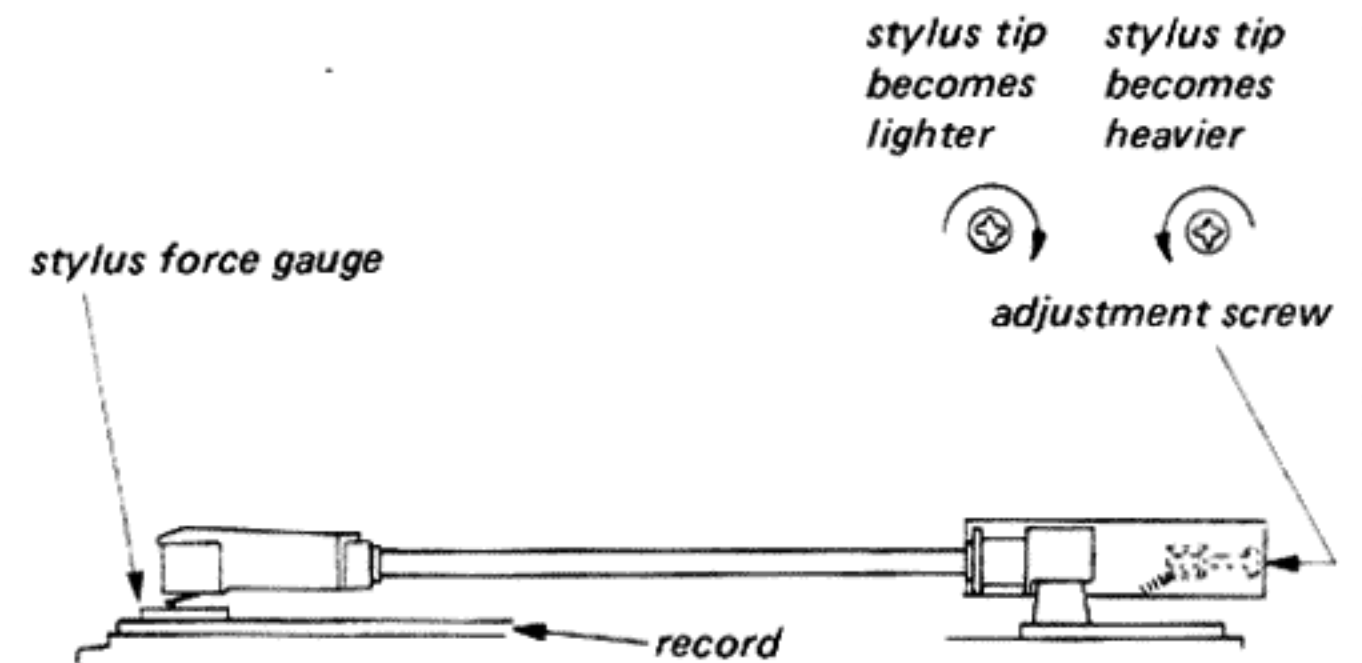
Cartridge Level Adjustment

Loosen the two screws and adjust the inclination of the cartridge so that the line of the point **A** and point **B** becomes horizontal against turntable. After the adjustment, secure the two screws.



Stylus Force Adjustment

Turn the adjustment screw so that stylus force becomes 1.7 – 2.3g reading on stylus force gauge.

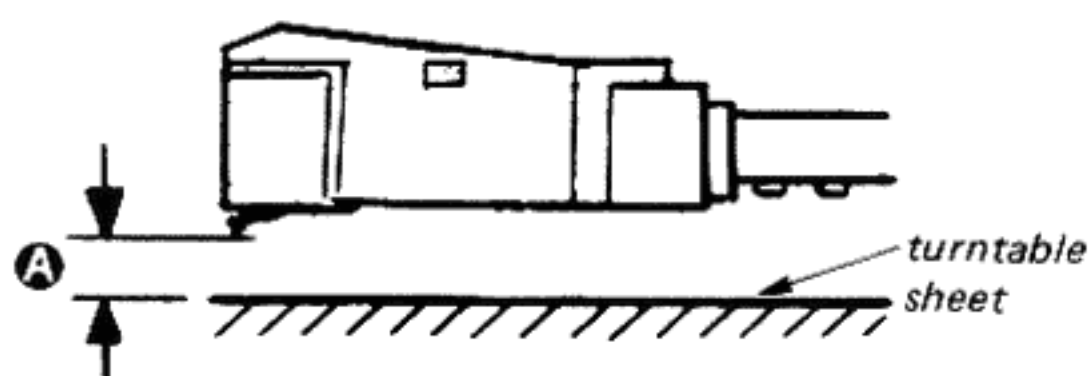


Stylus Height Adjustment

Note: Perform both adjustments for manual and automatic operations.

1. Automatic

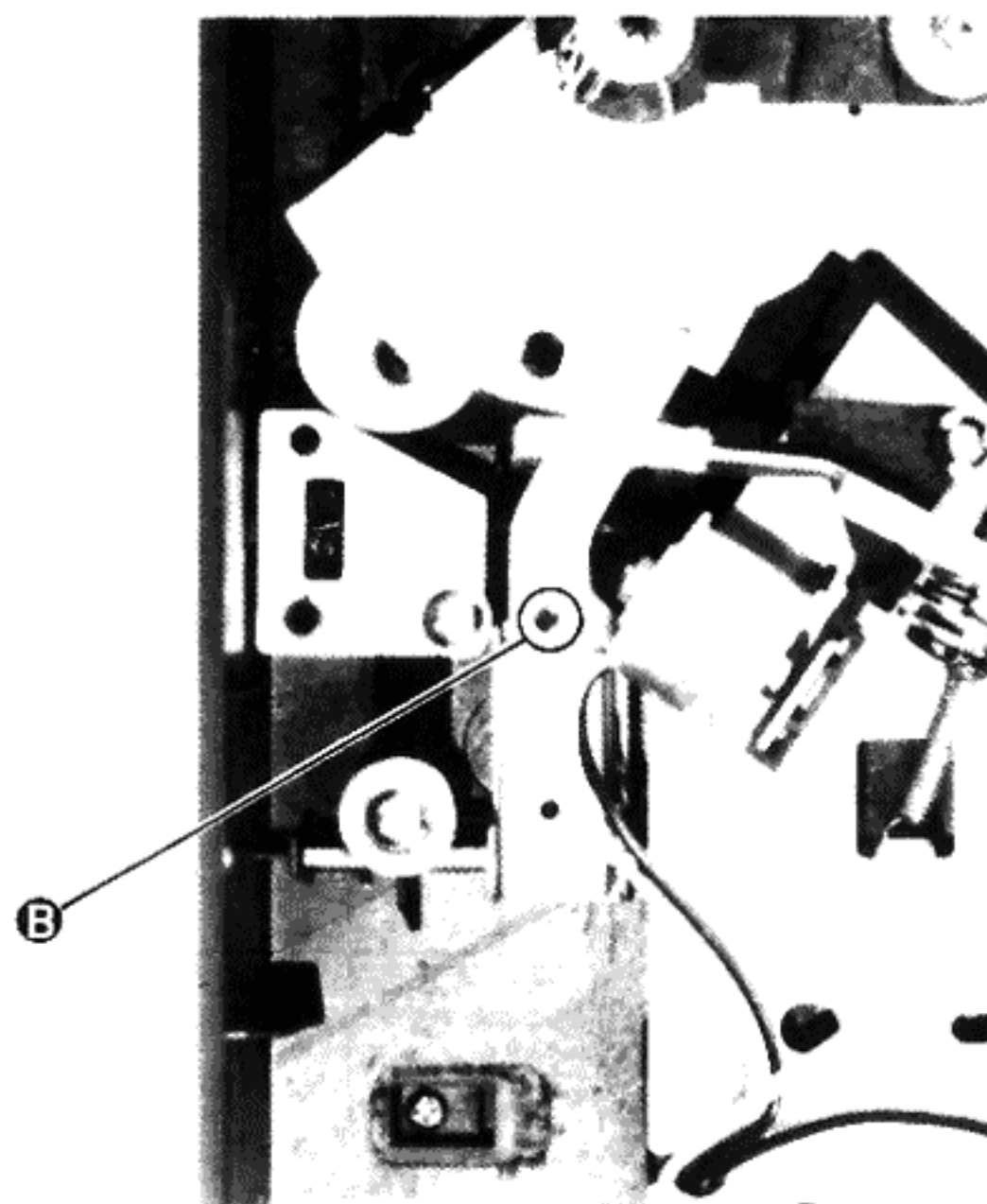
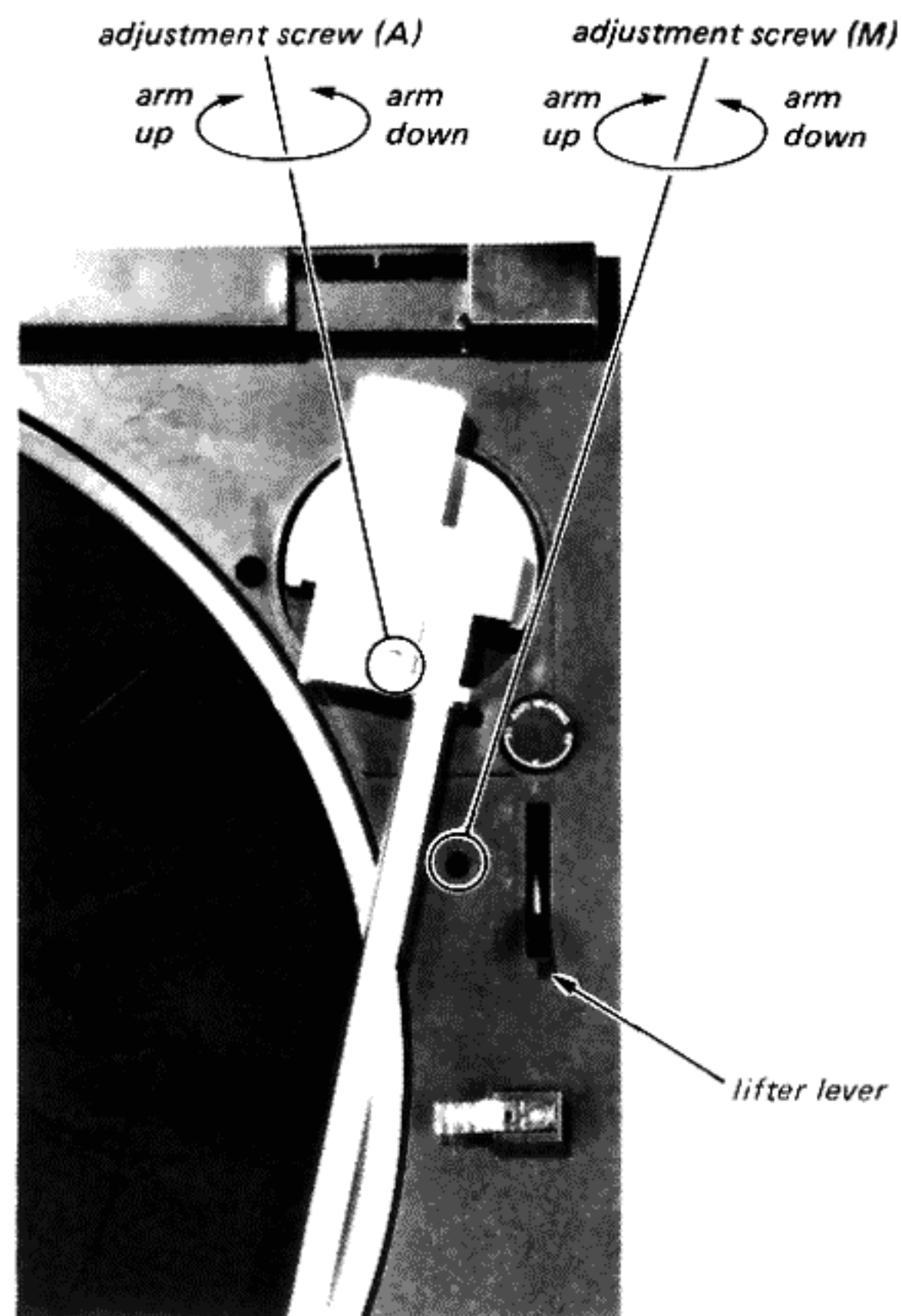
- 1-1. Place a turntable sheet on the turntable.
Depress the lifter lever to make a lifter-down mode (▼).
- 1-2. Move the arm on out-of-groove of a turntable by hand.
- 1-3. Adjust the adjustment screw (A) so that the stylus height **A** from face of a turntable sheet becomes in 8 – 9mm.
- 1-4. Move the arm on inner-groove of a turntable by hand and confirm that the stylus height **A** from face of a turntable sheet becomes in 8 – 9mm.
- 1-5. Return the arm to the armrest.



2. Manual

- 2-1. Place a record (30cm) on the turntable sheet.
- 2-2. Move the arm on inner most-groove of a record by hand.
Rotate the turntable by hand and descend the arm.
- 2-3. Depress the lifter lever to make a lifter-up mode (▼).
- 2-4. Move the arm on out-of-groove of a record by hand.
- 2-5. Adjust the adjustment screw (M) so that the stylus height **A** from face of a record becomes in 6 – 7mm.
- 2-6. Move the arm on inner-groove of a record by hand.
Confirm that the stylus height **A** from face of a record becomes in 6 – 7mm.
- 2-7. Moveover approach the arm to center of a record by hand.
Rotate the turntable by hand and return the arm.
- 2-8. Secure the portion **B** with locking compound..

Note: The difference of stylus height between Automatic and Manual operations is within 2mm, but stylus height of Manual operation is not heigher than that of Automatic operation.



Brake Lever Position Adjustment

1. Rotate the drive gear in the direction of the arrow as Fig. 1 and set the main lever in the position ① as illustrated.
2. Pressing the size lever in the direction of arrow as Fig. 2, adjust the adjustment screw so that the clearance for portion A is 0.2 – 0.8mm.
3. Rotate the drive gear again, and set the drive gear in the position ② in Fig. 1 where rib of drive gear appears.
4. Make sure to obtain some clearance for portion B in Fig. 2.
5. Rotate the drive gear again, and set it in the position in step 1.
6. Source the adjustment screw with locking compound.

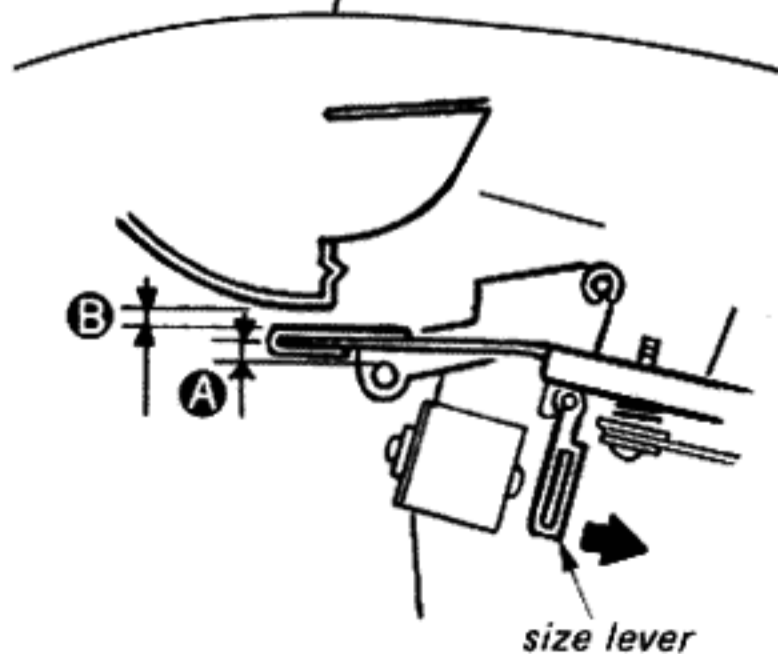
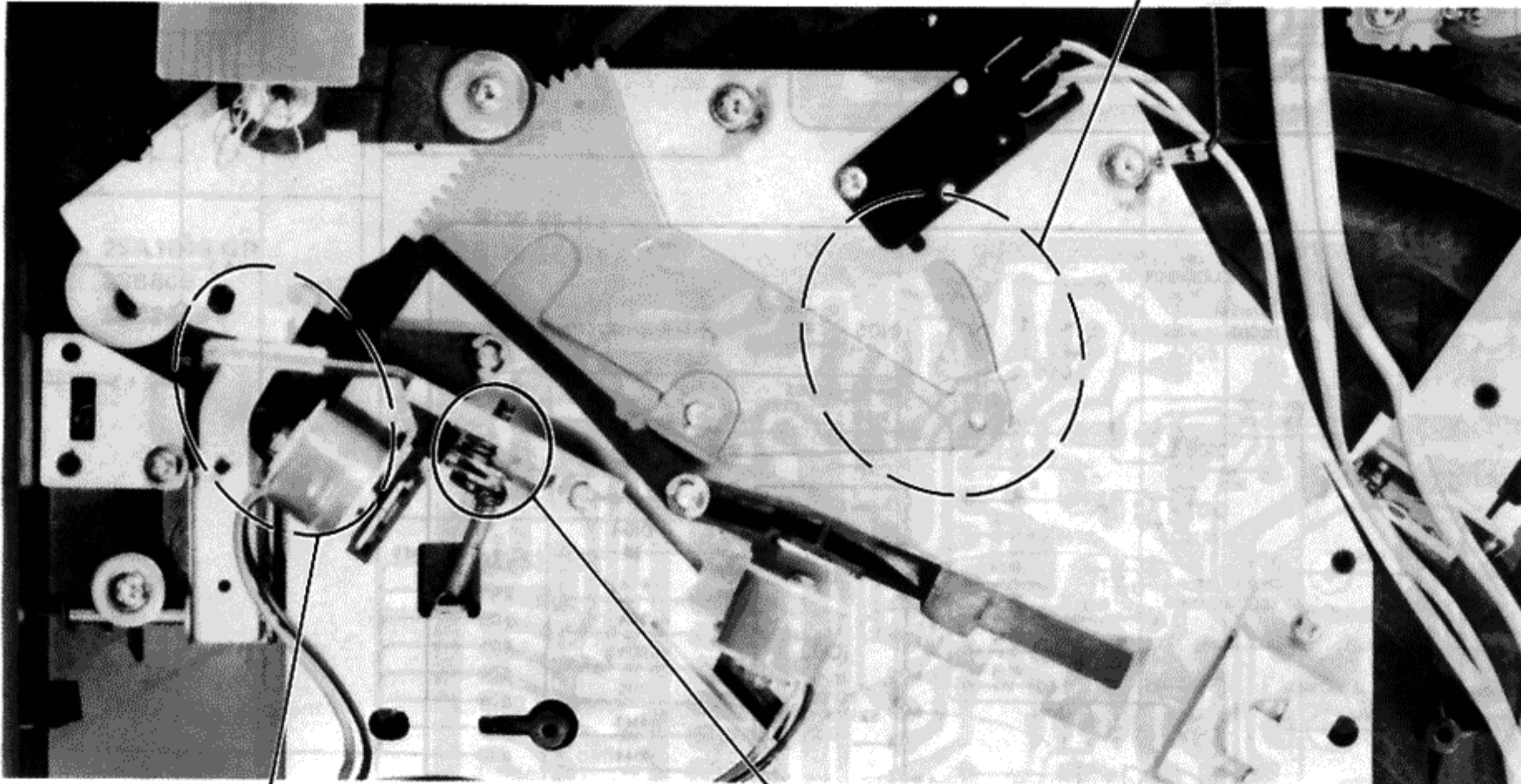
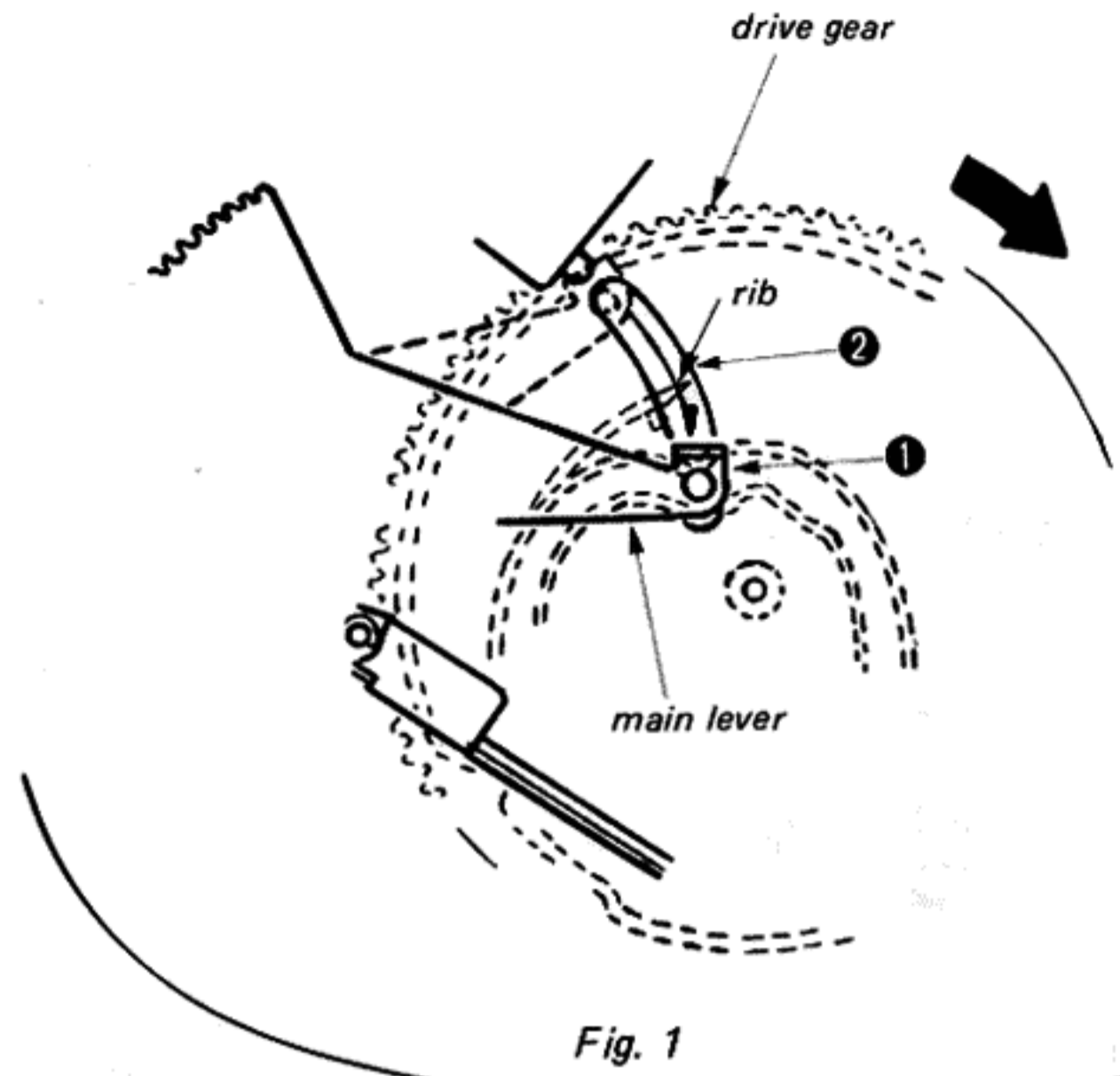


Fig. 2

adjustment screw	clearance for portion A
↻	narrow
↺	widen

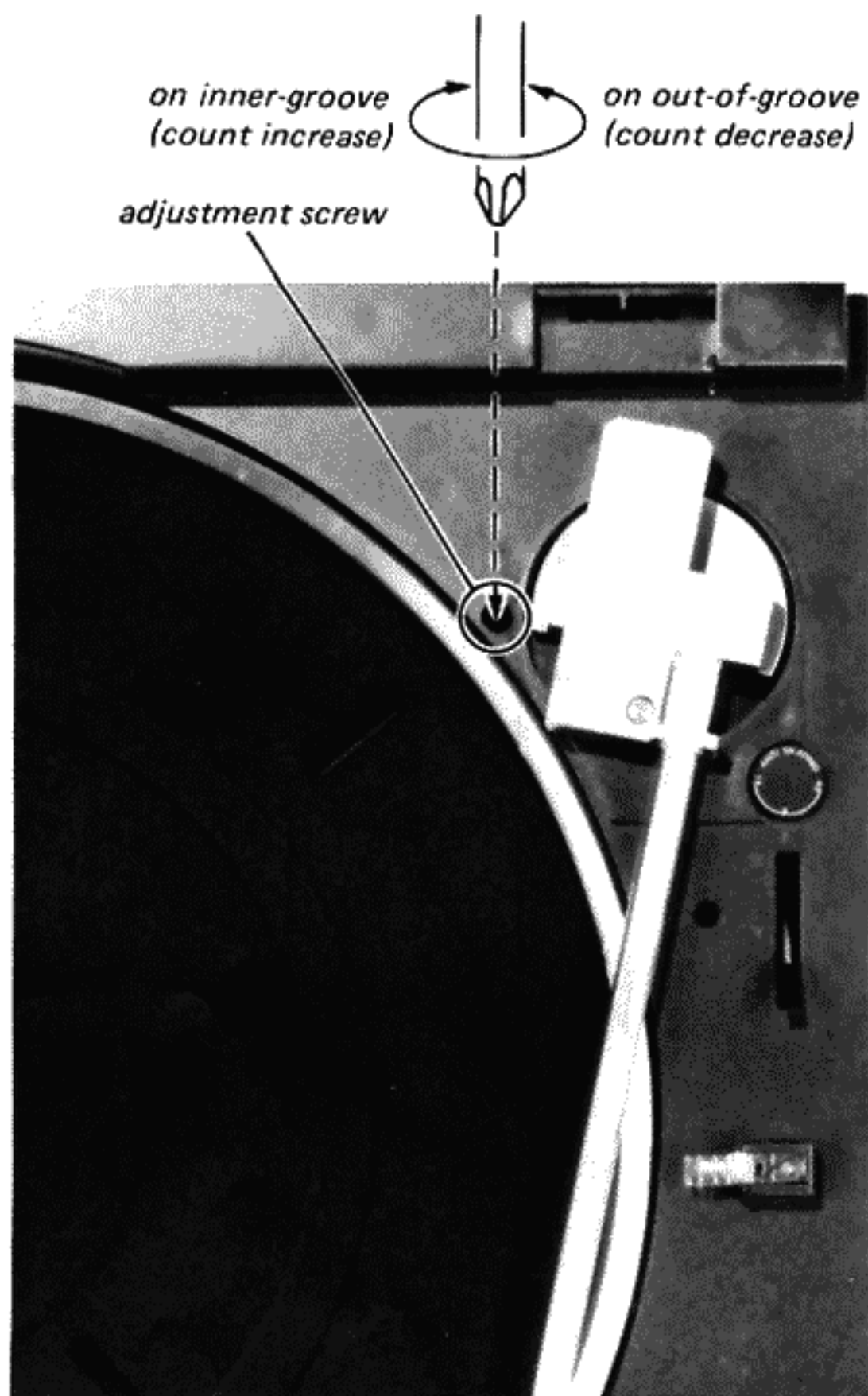
4-2. ELECTRICAL ADJUSTMENT

Stylus Drop-point Adjustment

Note: Stylus force adjustment should be completed.

1. Place a test record (YFSC-16) on the turntable sheet.
2. Set the SPEED switch to 33.
3. Press the START/STOP button.
4. By using a screwdriver, turn the adjustment screw so that the stylus tip drops on the record at the 4–17 counts position.
5. Move the arm to return detecting groove and confirm that the auto-return operation is started within 4–11 counts on the test record.

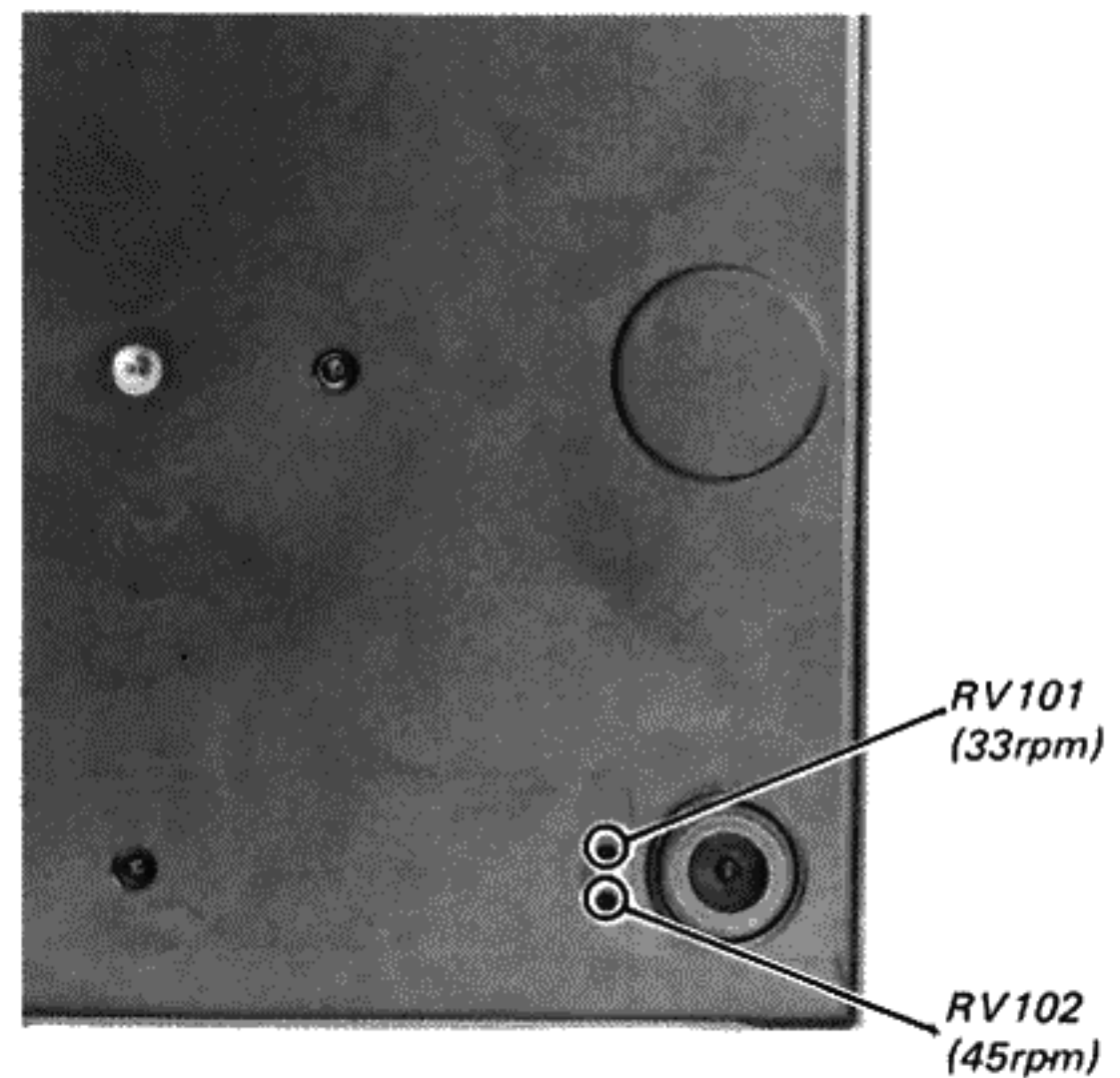
Note: The proper adjustment for a 30cm record is also correct for a 17cm record.
When turning adjustment screw, put the arm on the arm rest.



Speed Adjustment

Note: Be sure to perform 45rpm adjustment before 33rpm.

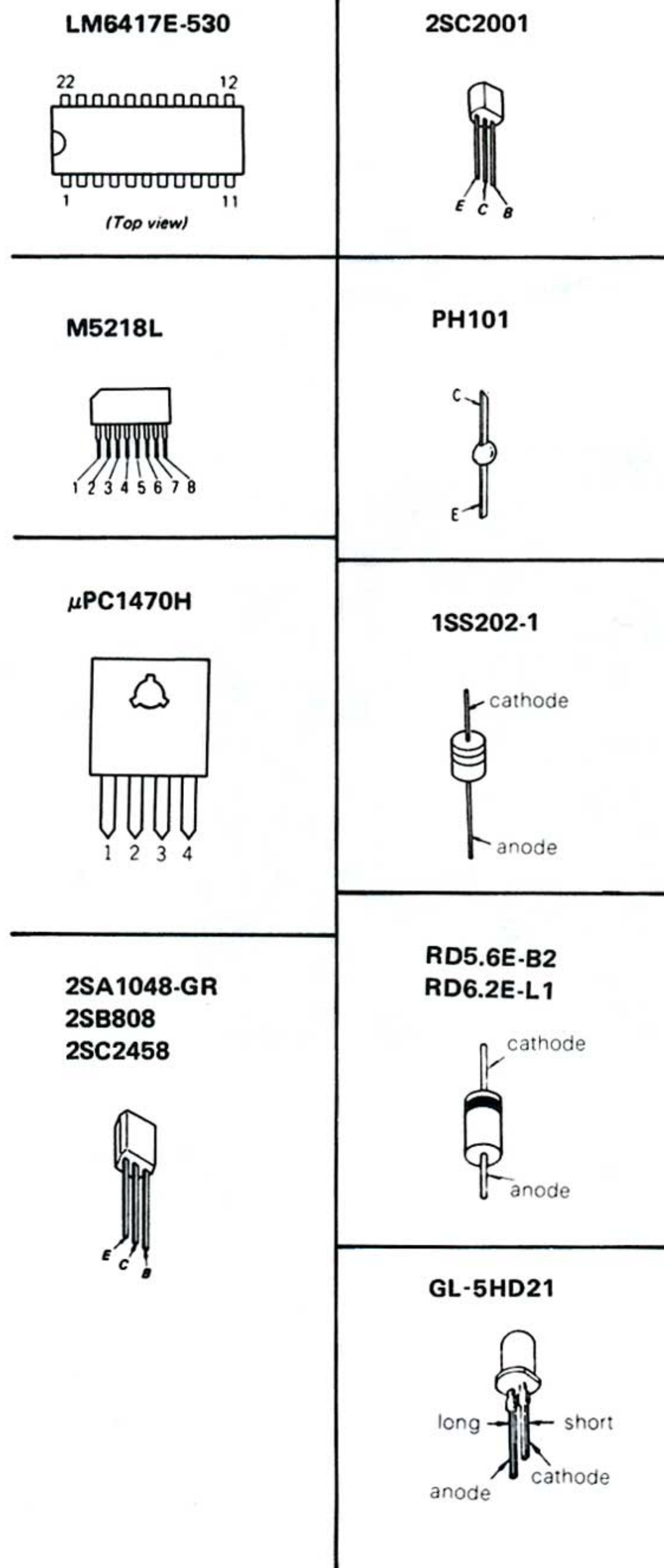
1. Place a stroboscope record on the turntable sheet.
2. Set the SPEED switch to 45.
Press the START/STOP button.
Adjust RV102 so that the stripped pattern of stroboscope board is stationary.
3. Set the SPEED switch to 33.
Adjust RV101 in the same way.



SECTION 5
DIAGRAMS

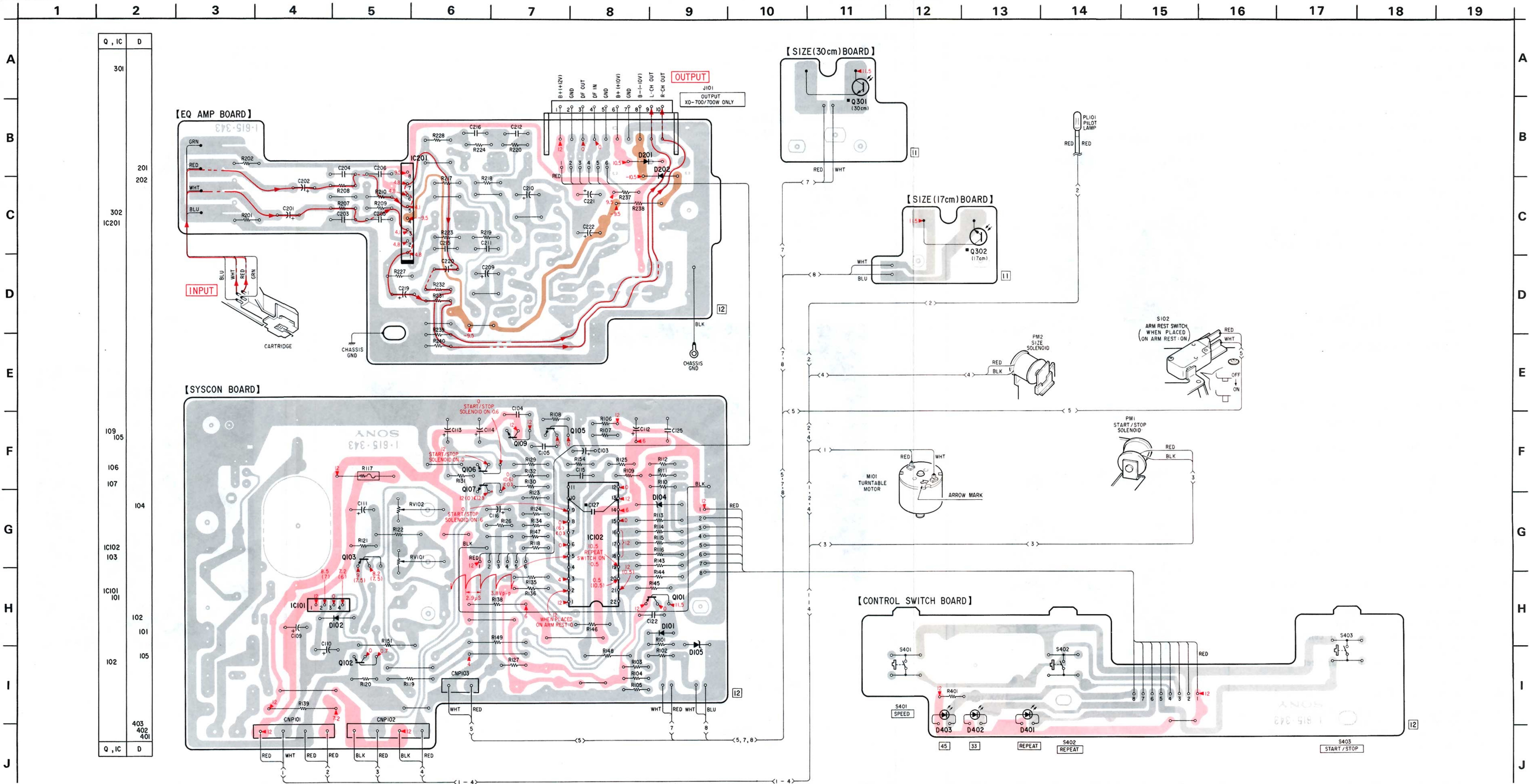
5-1. MOUNTING DIAGRAM
— Conductor Side —

Semiconductor Lead Layouts

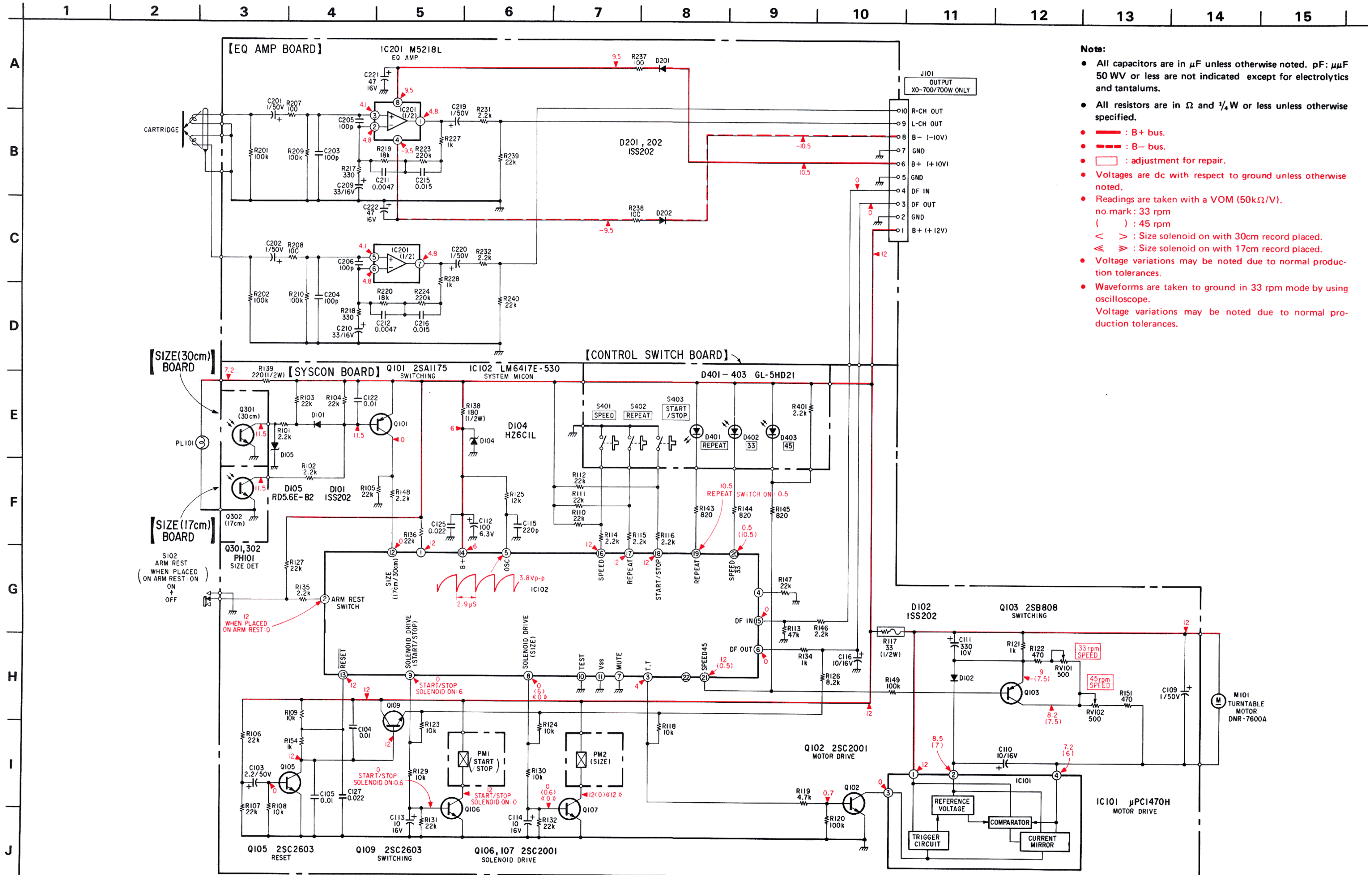


Note:

- : parts extracted from the component side.
- : parts extracted from the conductor side.
- : part mounted on the conductor side.
- : signal path
- : L-CH signal path
- : R-CH signal path
- : B+ pattern
- : B- pattern



5-2. SCHEMATIC DIAGRAM

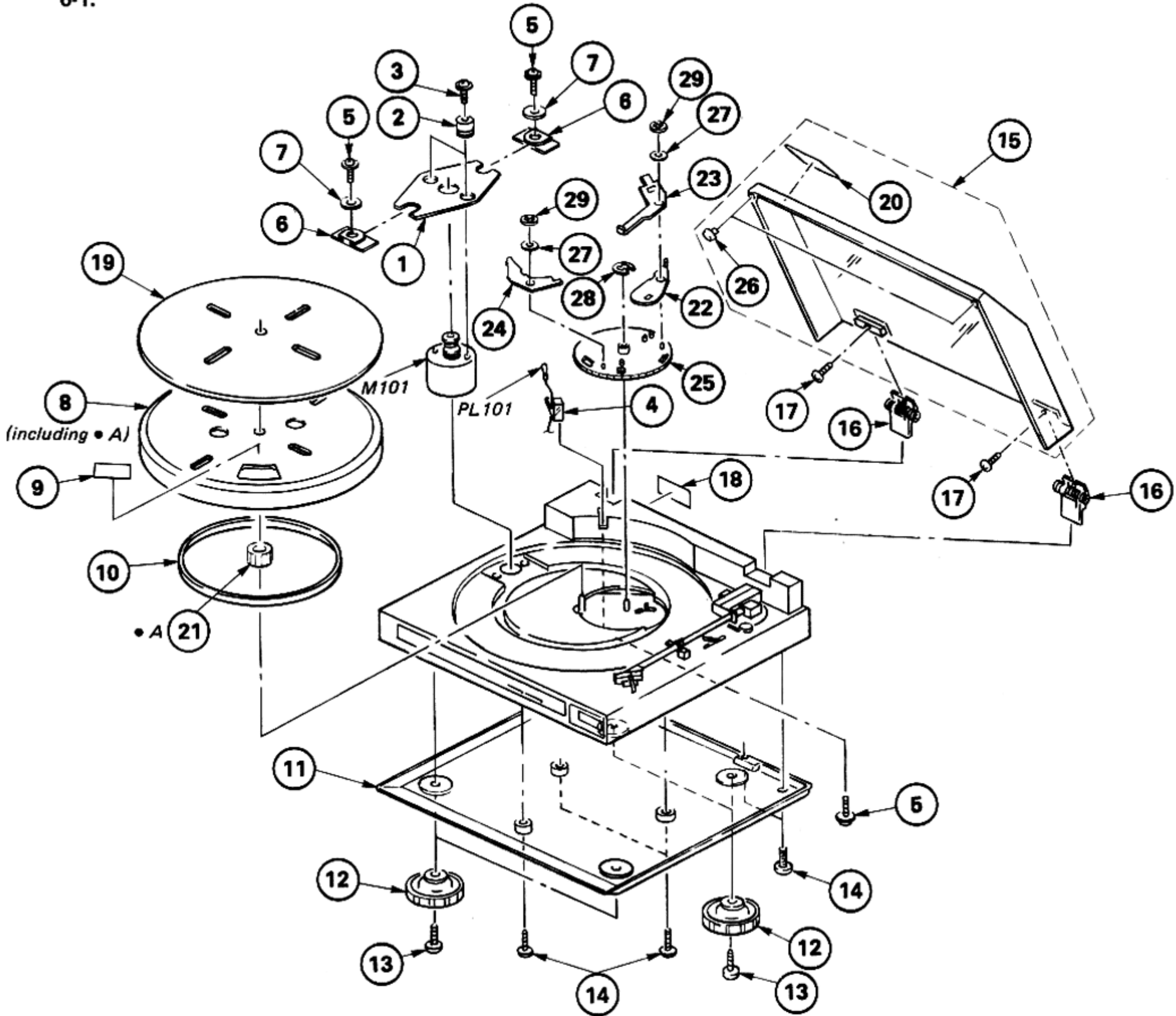


- Notes:**
- All capacitors are in μF unless otherwise noted. pF : μF 50 WV or less are not indicated except for electrolytics and tantalums.
 - All resistors are in Ω and $\frac{1}{4}\text{W}$ or less unless otherwise specified.
 - — : B+ bus.
 - - - - : B- bus.
 - □ : adjustment for repair.
 - Voltages are dc with respect to ground unless otherwise noted.
 - Readings are taken with a VOM (50k Ω /V).
 no mark : 33 rpm
 () : 45 rpm
 < > : Size solenoid on with 30cm record placed.
 << >> : Size solenoid on with 17cm record placed.
 - Voltage variations may be noted due to normal production tolerances.
 - Waveforms are taken to ground in 33 rpm mode by using oscilloscope.
 Voltage variations may be noted due to normal production tolerances.

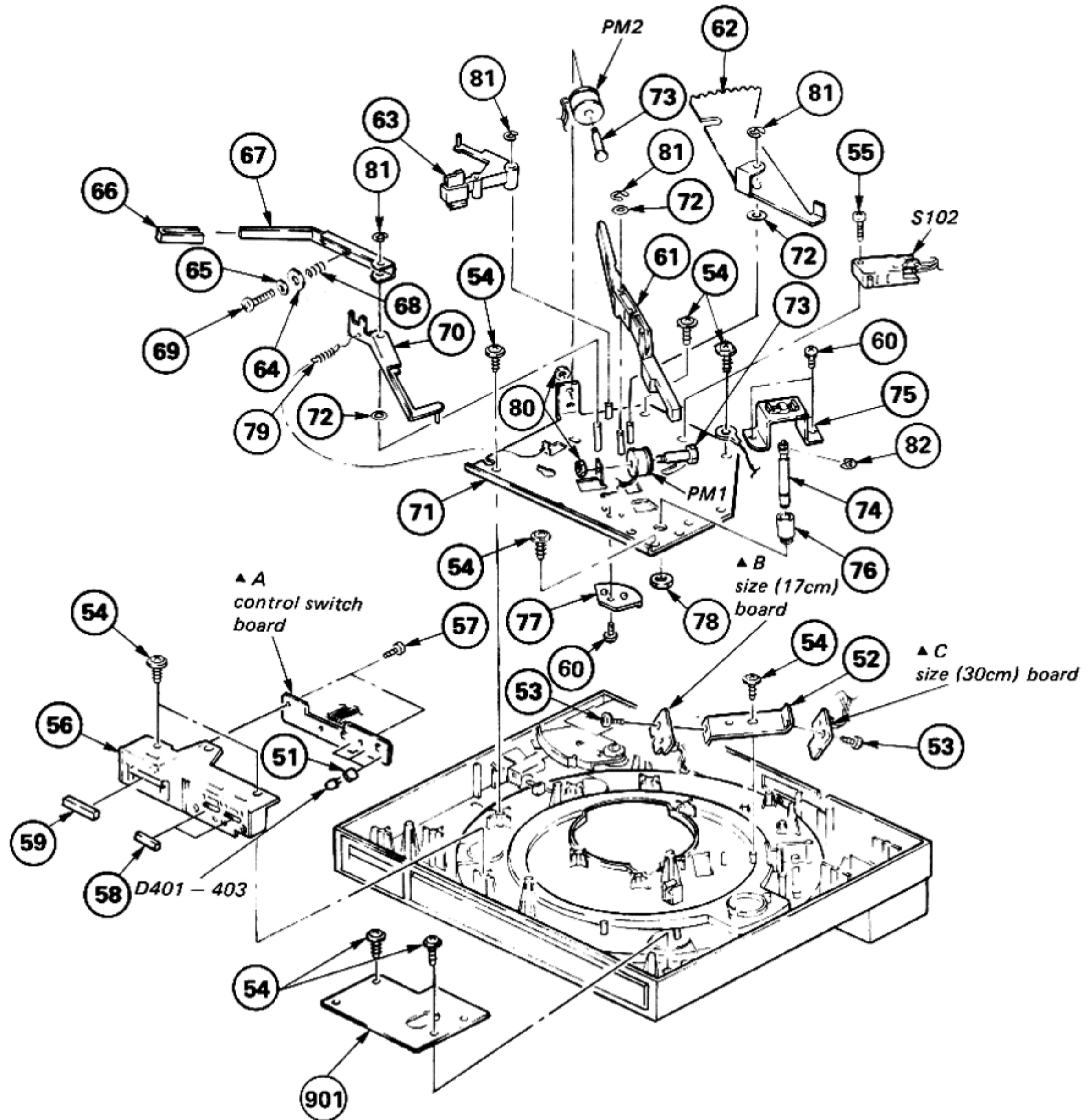
SECTION 6 EXPLODED VIEWS AND PARTS LIST

- NOTE:
- The mechanical parts with no reference number in the exploded views are not supplied.
 - Items marked " * " are not stocked since they are seldom required for routine service. Some delay should be anticipated when ordering these items.
 - The construction parts of an assembled part are indicated with a collation number in the remark column.

6-1.



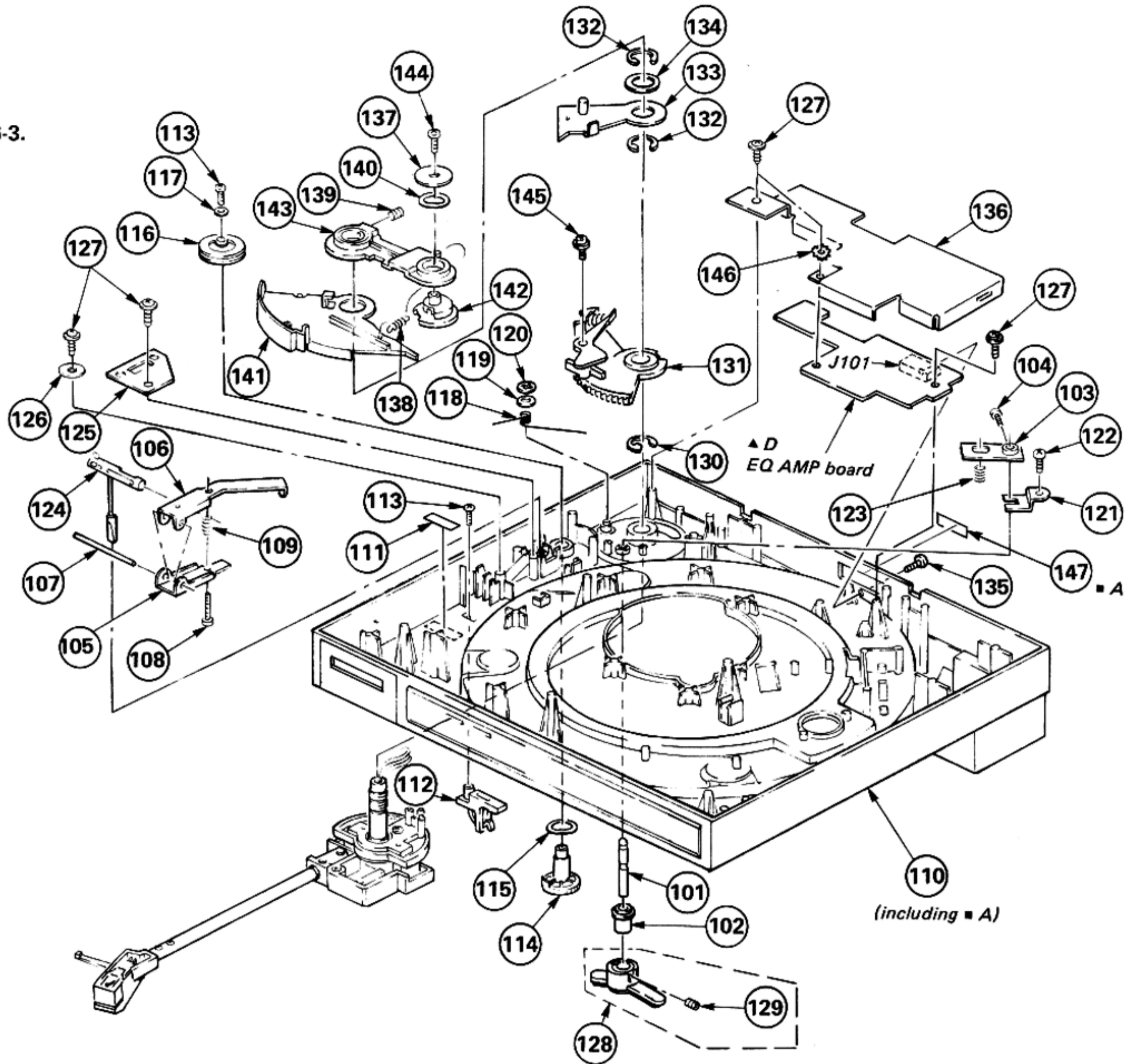
No.	Part No.	Description	Remarks	No.	Part No.	Description	Remarks
1	*4-908-106-01	BRACKET (B), MOTOR		17	7-682-546-04	SCREW +B 3X5	
2	4-909-061-01	CUSHION, MOTOR		18	*4-909-074-01	LABEL, MODEL NUMBER	
3	4-909-062-01	SCREW, MOTOR		19	4-909-059-11	SHEET, TURNTABLE	
4	4-908-110-01	COVER, LAMP		20	3-703-705-01	STICKER, SONY SYMBOL (30)	
5	3-703-137-00	SCREW +PTPWH 3X10		21	4-868-052-00	GEAR, CENTER	
6	4-908-120-01	RUBBER, FLOATING		22	4-874-232-00	CLUTCH (R)	
7	*4-301-647-00	WASHER, SPECIAL		23	4-874-254-00	CLUTCH (S)	
8	X-4909-004-1	TURNTABLE ASSY	21	24	4-874-279-00	CLUTCH (L)	
9	*4-909-004-01	LABEL, CAUTION, GEAR		25	4-880-524-00	GEAR (S), DRIVE	
10	4-850-664-00	BELT		26	4-885-183-00	CUSHION (D)	
11	4-909-003-11	PLATE, BOTTOM		27	7-623-105-15	W 2, MIDDLE	
12	X-4909-016-1	INSULATOR ASSY		28	7-624-106-04	STOP RING 3.0, TYPE -E	
13	7-685-550-19	SCREW +BTP 3X16 TYPE2 N-S		29	7-624-190-81	STOP RING 2, TYPE-CS	
14	7-685-648-19	SCREW +BVTP 3X12 TYPE2 N-S		M101	8-835-126-01	MOTOR, DC (DNR-7600A)	
15	X-4887-907-0	COVER ASSY, DUST	20,26	PL101	1-518-169-XX	LAMP, PILOT	
16	4-885-731-11	HINGE					



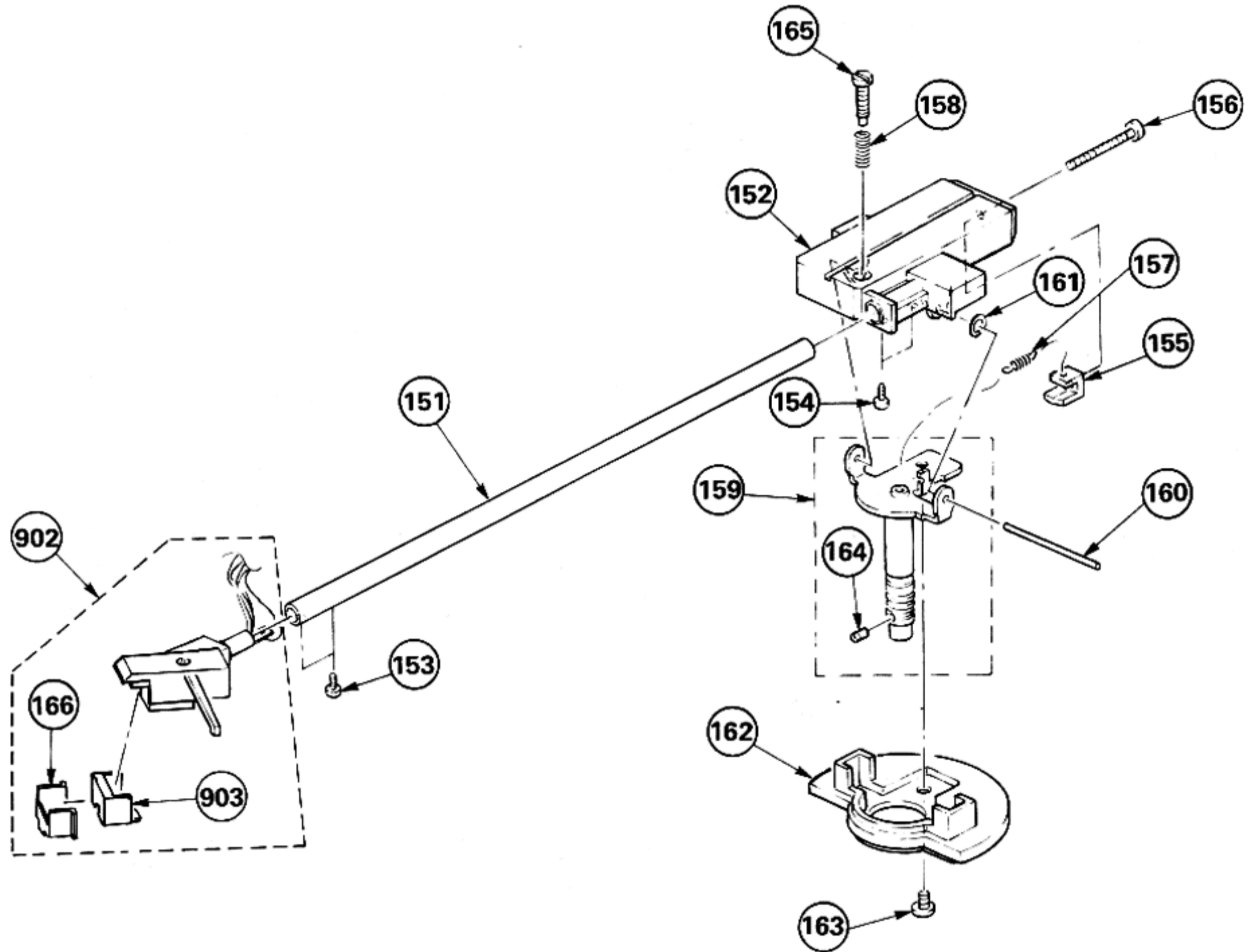
(including ▲ A - C and ▲ D of next page)

No.	Part No.	Description	Remarks	No.	Part No.	Description	Remarks
51	*4-901-657-00	SPACER (A), LED		71	*X-4909-015-1	CHASSIS ASSY	
52	*4-909-037-01	BRACKET, SENSOR		72	3-701-441-21	WASHER (t=0.5)	
53	7-685-750-04	SCREW +PTT 3X5 (S)		73	4-874-234-00	CORE	
54	3-703-137-00	SCREW +PTPH 3X10		74	4-908-103-01	SHAFT, CENTER	
55	7-685-755-01	SCREW +PTT 3X14 (S)		75	*4-909-021-01	BRACKET, BEARING	
56	*4-909-078-01	BASE, CONTROL BUTTON		76	4-909-022-01	BEARING (B)	
57	7-685-134-14	SCREW +PTP 2.6X8 TYPE2 NON-SLIT		77	*4-909-023-01	RETAINER, CLUTCH	
58	4-909-076-01	BUTTON, SPEED/REPEAT		78	4-909-084-01	NUT, BEARING	
59	4-909-079-01	BUTTON, START/STOP		79	4-909-085-01	SPRING, TENTION	
60	7-682-546-04	SCREW +B 3X5		80	7-622-207-05	N 2.6, TYPE 2	
61	X-4909-006-1	LEVER ASSY, CLUTCH		81	7-624-106-04	STOP RING 3.0, TYPE -E	
62	*X-4909-007-1	LEVER ASSY, MAIN		82	7-624-133-34	STOP RING 8, TYPE-CE	
63	X-4909-008-1	LEVER (DP) ASSY, SIZE		901	*A-4619-268-A	MOUNTED PCB, SYSTEM CONTROL	
64	*4-301-647-00	WASHER, SPECIAL		D401	8-719-906-58	DIODE GL-5HD21	
65	4-812-554-00	WASHER		D402	8-719-906-58	DIODE GL-5HD21	
66	4-874-275-00	PAD, BRAKE		D403	8-719-906-58	DIODE GL-5HD21	
67	*4-909-030-01	LEVER (B), BRAKE		PM1	1-454-394-11	SOLENOID, PLUNGER, START/STOP	
68	4-909-031-01	SPRING (BRAKE B), COMPRESSION		PM2	1-454-394-11	SOLENOID, PLUNGER, SIZE	
69	7-682-551-09	SCREW +B 3X14		S102	1-570-149-11	SWITCH, MICRO, ARM REST	
70	*X-4909-010-1	LEVER ASSY, RESET					

6-3.



No.	Part No.	Description	Remarks	No.	Part No.	Description	Remarks
101	4-909-034-01	ROD (A), PUSH		125	*4-909-009-01	RETAINER, CAM	
102	4-909-033-01	CASE (A), ROD, PUSH		126	*4-301-647-00	WASHER, SPECIAL	
103	*X-4909-011-1	GUIDE ASSY, LIFTER		127	3-703-137-00	SCREW +PTWH 3X10	
104	7-621-255-25	SCREW +P 2X4		128	X-4909-002-1	PLATE ASSY, UP AND DOWN	129
105	*4-909-038-01	LEVER, LIFTER		129	7-621-738-08	SET-SCT, HEX. 2.6X4, FLAT POINT	
106	*4-880-501-00	LEVER (A), LIFTER		130	7-624-133-54	STOP RING 10, TYPE-CE	
107	*4-881-611-00	SHAFT, LEVER, LIFTER		131	X-4909-012-1	LEVER (D) ASSY, INDEX	
108	7-621-775-80	SCREW +B 2.6X16		132	7-624-133-44	STOP RING 9, TYPE-CE	
109	4-880-503-00	SPRING, COMPRESSION		133	*X-4909-003-1	LEVER (E) ASSY, INDEX	
110	X-4909-021-1	(BLACK)...FRAME (B) ASSY	147	134	4-876-324-21	POLY-SLIDER (DIA. 9.5)	
	X-4909-025-1	(SILVER)...FRAME (S) ASSY	147	135	7-685-647-79	SCREW +BVTP 3X10 TYPE2 N-S	
111	3-701-030-00	LABEL, SERIAL NUMBER		136	*4-909-077-01	PLATE (EQ), SHIELD	
112	X-4879-707-0	REST SUB ASSY, ARM		137	0-056-028-00	WASHER, PLAIN, 14 DIA.	
113	7-685-134-14	SCREW +PTP 2.6X8 TYPE2 NON-SLIT		138	3-548-124-00	SPRING, TENSION	
114	4-909-010-01	KNOB, IFC		139	3-701-507-00	SET SCREW, DOUBLE POINT, (M3X5)	
115	4-844-041-00	WASHER, (N)		140	4-844-041-11	WASHER, (N)	
116	*4-887-903-00	CAM, IFC		141	4-909-045-01	LEVER (C), ARM	
117	7-688-002-11	W 2.6, MIDDLE		142	4-909-046-01	CAM, ECCENTRIC	
118	4-909-067-01	SPRING, IFC		143	4-909-056-01	LEVER (D), ARM	
119	7-688-004-11	W 4, MIDDLE		144	7-685-144-21	SCREW +PTP 3X5 TYPE2 NON-SLIT	
120	7-624-190-31	STOP RING 4, TYPE-CS		145	7-687-202-21	TOTSU PTPWH 2X4, TYPE 2, SLIT	
121	*4-909-008-01	RETAINER (P)		146	7-623-422-07	LW 3, TYPE B	
122	3-703-135-00	SCREW +PTWH 3X8		147	*4-909-093-01	LABEL, CONNECTOR	
123	4-909-099-01	SPRING, COMPRESSION (LIFTER D)		J101	1-562-479-11	SOCKET, CONNECTOR 10P (OUTPUT)	
124	4-909-012-01	CAM, LIFTER					



No.	Part No.	Description	Remarks	No.	Part No.	Description	Remarks
151	4-909-052-01	PIPE, ARM		160	*4-909-014-01	PIN, HORIZONTAL	
152	X-4909-005-1	JOINT ASSY, PIPE		161	3-701-437-01	WASHER (t=0.13)	
153	7-685-773-04	SCREW +PTT 1.7X4		162	4-909-051-01	BASE, ARM	
154	7-685-104-14	SCREW +PTP 2X6 TYPE2 SLIT		163	7-682-546-04	SCREW +B 3X5	
155	*4-909-016-01	HOOK, SPRING		164	7-621-712-17	SET-SCREW, SLOT 2.6X2 CUP POINT	
156	7-682-552-04	SCREW +B 3X16		165	4-909-086-01	SHAFT (B), HEIGHT ADJUSTMENT	
157	4-889-510-00	SPRING, TENSION		166	3-706-613-00	PROTECTOR, STYLUS	
158	4-887-918-00	SPRING, COMPRESSION		902	1-549-124-11	CARTRIDGE (VL-42GSE)	166,903
159	X-4909-014-1	BRACKET ASSY, ROTARY	164	903	1-549-112-11	STYLUS (ND-142G)	

SECTION 7 ELECTRICAL PARTS LIST

NOTE:

- Items marked " * " are not stocked since they are seldom required for routine service. Some delay should be anticipated when ordering these items.
- If there are two or more same circuits in a set such as a stereophonic machine, only typical circuit parts may be indicated and capacitors and resistors in other same circuits may be omitted.

- CAPACITORS:**
MF:μF, PF:μμF.
- RESISTORS**
· All resistors are in ohms.
· F : nonflammable
- COILS**
· MMH : mH, UH : μH

- SEMICONDUCTORS**
In each case, U : μ, for example:
UA...: μA..., UPA...: μPA..., UPC...: μPC,
UPD...: μPD...

ELECTRICAL PARTS

Ref.No.	Part No.	Description				
901	*A-4619-268-A	MOUNTED PCB, SYSTEM CONTROL				
902	1-549-124-11	CARTRIDGE (VL-42GSE)				
903	1-549-112-11	STYLUS (ND-142G)				
C103	1-123-381-00	ELECT	2.2MF	20%	100V	
C104	1-162-306-31	CERAMIC	0.01MF	20%	16V	
C105	1-162-306-31	CERAMIC	0.01MF	20%	16V	
C109	1-123-611-00	ELECT	1MF	20%	50V	
C110	1-123-617-00	ELECT	10MF	20%	16V	
C111	1-123-309-00	ELECT	330MF	20%	10V	
C112	1-123-307-00	ELECT	100MF	20%	10V	
C113	1-123-356-00	ELECT	10MF	20%	50V	
C114	1-123-356-00	ELECT	10MF	20%	50V	
C115	1-162-286-31	CERAMIC	220PF	10%	50V	
C116	1-123-617-00	ELECT	10MF	20%	16V	
C122	1-162-306-31	CERAMIC	0.01MF	20%	16V	
C125	1-101-005-00	CERAMIC	0.022MF		50V	
C127	1-101-005-00	CERAMIC	0.022MF		50V	
C201	1-123-380-00	ELECT	1MF	20%	100V	
C202	1-123-380-00	ELECT	1MF	20%	100V	
C203	1-162-282-31	CERAMIC	100PF	10%	50V	
C204	1-162-282-31	CERAMIC	100PF	10%	50V	
C205	1-162-282-31	CERAMIC	100PF	10%	50V	
C206	1-162-282-31	CERAMIC	100PF	10%	50V	
C209	1-123-318-00	ELECT	33MF	20%	16V	
C210	1-123-318-00	ELECT	33MF	20%	16V	
C211	1-110-203-00	MYLAR	0.0047MF	5%	50V	
C212	1-110-203-00	MYLAR	0.0047MF	5%	50V	
C215	1-136-155-00	FILM	0.015MF	5%	50V	
C216	1-136-155-00	FILM	0.015MF	5%	50V	
C219	1-123-380-00	ELECT	1MF	20%	100V	
C220	1-123-380-00	ELECT	1MF	20%	100V	
C221	1-123-332-00	ELECT	47MF	20%	25V	
C222	1-123-332-00	ELECT	47MF	20%	25V	
CNP101*	1-508-801-00	U TYPE BASE POST 4P				
CNP102*	1-508-801-00	U TYPE BASE POST 4P				
CNP103*	1-508-799-00	BASE POST 2P (U TYPE)				
D101	8-719-107-94	DIODE 1SS202-1				
D102	8-719-107-94	DIODE 1SS202-1				
D104	8-719-101-60	DIODE RD6.2E-L1				
D105	8-719-100-36	DIODE RD5.6E-83				
D201	8-719-107-94	DIODE 1SS202-1				
D202	8-719-107-94	DIODE 1SS202-1				
D401	8-719-906-58	DIODE GL-5HD21				
D402	8-719-906-58	DIODE GL-5HD21				
D403	8-719-906-58	DIODE GL-5HD21				

ELECTRICAL PARTS

Ref.No.	Part No.	Description				
IC101	8-759-103-35	IC UPC1470H				
IC102	8-759-801-90	IC LM6417E-530				
IC201	8-759-600-02	IC M5218L				
J101	1-562-479-11	SOCKET, CONNECTOR 10P (OUTPUT)				
M101	8-835-126-01	MOTOR, DC (DNR-7600A)				
PL101	1-518-169-XX	LAMP, PILOT				
PM1	1-454-394-11	SOLENOID, PLUNGER, START/STOP				
PM2	1-454-394-11	SOLENOID, PLUNGER, SIZE				
Q101	8-729-204-83	TRANSISTOR 2SA1048-GR				
Q102	8-729-100-13	TRANSISTOR 2SC2001				
Q103	8-729-800-83	TRANSISTOR 2SB808				
Q105	8-729-245-83	TRANSISTOR 2SC2458				
Q106	8-729-100-13	TRANSISTOR 2SC2001				
Q107	8-729-100-13	TRANSISTOR 2SC2001				
Q109	8-729-245-83	TRANSISTOR 2SC2458				
Q301	8-729-101-01	TRANSISTOR PH101				
Q302	8-729-101-01	TRANSISTOR PH101				
R101	1-249-421-11	CARBON	2.2K	5%	1/6W	
R102	1-249-421-11	CARBON	2.2K	5%	1/6W	
R103	1-247-863-00	CARBON	22K	5%	1/6W	
R104	1-247-863-00	CARBON	22K	5%	1/6W	
R105	1-247-863-00	CARBON	22K	5%	1/6W	
R106	1-247-863-00	CARBON	22K	5%	1/6W	
R107	1-247-863-00	CARBON	22K	5%	1/6W	
R108	1-247-855-00	CARBON	10K	5%	1/6W	
R109	1-247-855-00	CARBON	10K	5%	1/6W	
R110	1-247-863-00	CARBON	22K	5%	1/6W	
R111	1-247-863-00	CARBON	22K	5%	1/6W	
R112	1-247-863-00	CARBON	22K	5%	1/6W	
R113	1-247-871-00	CARBON	47K	5%	1/6W	
R114	1-249-421-11	CARBON	2.2K	5%	1/6W	
R115	1-249-421-11	CARBON	2.2K	5%	1/6W	
R116	1-249-421-11	CARBON	2.2K	5%	1/6W	
R117	1-217-440-00	FUSIBLE	33	5%	1/2W	F
R118	1-247-855-00	CARBON	10K	5%	1/6W	
R119	1-247-847-00	CARBON	4.7K	5%	1/6W	
R120	1-247-879-00	CARBON	100K	5%	1/6W	
R121	1-247-831-00	CARBON	1K	5%	1/6W	
R122	1-247-823-00	CARBON	470	5%	1/6W	
R123	1-247-855-00	CARBON	10K	5%	1/6W	
R124	1-247-855-00	CARBON	10K	5%	1/6W	
R125	1-247-857-00	CARBON	12K	5%	1/6W	
R126	1-247-853-00	CARBON	8.2K	5%	1/6W	
R127	1-247-863-00	CARBON	22K	5%	1/6W	

ELECTRICAL PARTS

<u>Ref.No.</u>	<u>Part No.</u>	<u>Description</u>			
R129	1-247-855-00	CARBON	10K	5%	1/6W
R130	1-247-855-00	CARBON	10K	5%	1/6W
R131	1-247-863-00	CARBON	22K	5%	1/6W
R132	1-247-863-00	CARBON	22K	5%	1/6W
R134	1-247-831-00	CARBON	1K	5%	1/6W
R135	1-249-421-11	CARBON	2.2K	5%	1/6W
R136	1-247-863-00	CARBON	22K	5%	1/6W
R138	1-247-222-00	CARBON	180	5%	1/2W
R139	1-247-224-00	CARBON	220	5%	1/2W
R143	1-247-829-00	CARBON	820	5%	1/6W
R144	1-247-829-00	CARBON	820	5%	1/6W
R145	1-247-829-00	CARBON	820	5%	1/6W
R146	1-249-421-11	CARBON	2.2K	5%	1/6W
R147	1-247-863-00	CARBON	22K	5%	1/6W
R148	1-249-421-11	CARBON	2.2K	5%	1/6W
R149	1-247-879-00	CARBON	100K	5%	1/6W
R151	1-247-823-00	CARBON	470	5%	1/6W
R154	1-247-831-00	CARBON	1K	5%	1/6W
R201	1-247-879-00	CARBON	100K	5%	1/6W
R202	1-247-879-00	CARBON	100K	5%	1/6W
R207	1-247-807-00	CARBON	100	5%	1/6W
R208	1-247-807-00	CARBON	100	5%	1/6W
R209	1-247-879-00	CARBON	100K	5%	1/6W
R210	1-247-879-00	CARBON	100K	5%	1/6W
R217	1-247-819-00	CARBON	330	5%	1/6W
R218	1-247-819-00	CARBON	330	5%	1/6W
R219	1-247-861-00	CARBON	18K	5%	1/6W
R220	1-247-861-00	CARBON	18K	5%	1/6W
R223	1-247-887-00	CARBON	220K	5%	1/6W
R224	1-247-887-00	CARBON	220K	5%	1/6W
R227	1-247-831-00	CARBON	1K	5%	1/6W
R228	1-247-831-00	CARBON	1K	5%	1/6W
R231	1-249-421-11	CARBON	2.2K	5%	1/6W
R232	1-249-421-11	CARBON	2.2K	5%	1/6W
R237	1-247-807-00	CARBON	100	5%	1/6W
R238	1-247-807-00	CARBON	100	5%	1/6W
R239	1-247-863-00	CARBON	22K	5%	1/6W
R240	1-247-863-00	CARBON	22K	5%	1/6W
R401	1-249-421-11	CARBON	2.2K	5%	1/6W
RV101	1-226-232-00	RES, ADJ, CARBON 500			
RV102	1-226-232-00	RES, ADJ, CARBON 500			
S102	1-570-149-11	SWITCH, MICRO, ARM REST			
S401	1-553-856-00	SWITCH, KEY BOARD (SPEED)			
S402	1-553-856-00	SWITCH, KEY BOARD (REPEAT)			
S403	1-553-856-00	SWITCH, KEY BOARD (START/STOP)			